

Model

DIR-150



USER MANUAL Internet Radio with FM and Bluetooth
HANDLEIDING Internetradio met FM en Bluetooth
BEDIENUNGSANLEITUNG Internet-Radio mit FM und Bluetooth
MODE D'EMPLOI Radio Internet avec FM et Bluetooth
MANUAL DEL USUARIO Radio con Internet con FM y Bluetooth

Index:

English.....	3
Nederlands	20
Deutsch.....	37
Français.....	56
Español	74

CAUTION:

Usage of controls or adjustments or performance of procedures other than those specified herein may result in hazardous radiation exposure.

This unit should not be adjusted or repaired by anyone except qualified service personnel.

PRECAUTIONS BEFORE USE

KEEP THESE INSTRUCTIONS IN MIND:

1. Do not use this device near water.
2. Clean only with a slightly damp cloth.
3. Do not cover or block any ventilation openings. When placing the device on a shelf, leave 5 cm (2") free space around the whole device.
4. Install in accordance with the supplied user manual.
5. Don't step on or pinch the power adaptor. Be very careful, particularly near the plugs and the cable's exit point. Do not place heavy items on the power adaptor, which may damage it. Keep the entire device out of children's reach! When playing with the power cable, they can seriously injure themselves.
6. Unplug this device during lightning storms or when unused for a long period.
7. Keep the device away from heat sources such as radiators, heaters, stoves, candles and other heat-generating products.
8. Avoid using the device near strong magnetic fields.
9. Electrostatic discharge can disturb normal usage of this device. If so, simply reset and restart the device following the instruction manual. During file transmission, please handle with care and operate in a static-free environment.
10. Warning! Never insert an object into the product through the vents or openings. High voltage flows through the product and inserting an object can cause electric shock and/or short circuit internal parts. For the same reason, do not spill water or liquid on the product.
11. Do not use in wet or moist areas such as bathrooms, steamy kitchens or near swimming pools.
12. Do not use this device when condensation may occur.
13. Although this device is manufactured with the utmost care and checked several times before leaving the factory, it is still possible that problems may occur, as with all electrical appliances. If you notice smoke, an excessive build-up of heat or any other unexpected phenomena, you should disconnect the plug from the main power socket immediately.
14. This device must be well ventilated at all time!
15. This device must operate on a power source as specified on the specification label. If you are not sure of the type of power supply used in your home, consult your dealer or local power company.
16. The socket outlet must be installed near the equipment and must be easily accessible.
17. Do not overload ac outlets or extension cords. Overloading can cause fire or electric shock.
18. Devices with class 1 construction should be connected to a main socket outlet with a protective earthed connection.
19. Devices with class 2 construction do not require a earthed connection.
20. Keep away from rodents. Rodents enjoy biting on power cords.
21. Always hold the plug when pulling it out of the main supply socket. Do not pull the power cord. This can cause a short circuit.
22. Avoid placing the device on any surfaces that may be subject to vibrations or shocks.
23. To protect the device during a thunderstorm, unplug the ac power adaptor.
24. When the device is not in use for long periods, unplug the ac power adaptor for safety reasons.
25. To clean the device, use a soft dry cloth. Do not use solvents or petrol based fluids. To remove severe stains, you may use a damp cloth with dilute detergent.
26. The supplier is not responsible for damage or lost data caused by malfunction, misuse, modification of the device or battery replacement.
27. Do not interrupt the connection when the device is formatting or transferring files. Otherwise, data may be corrupted or lost.

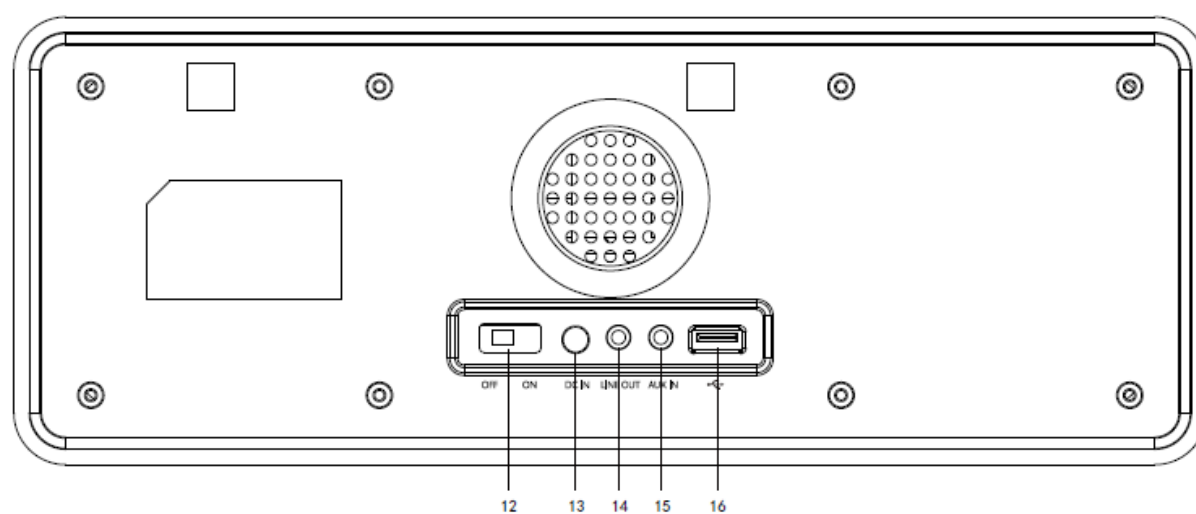
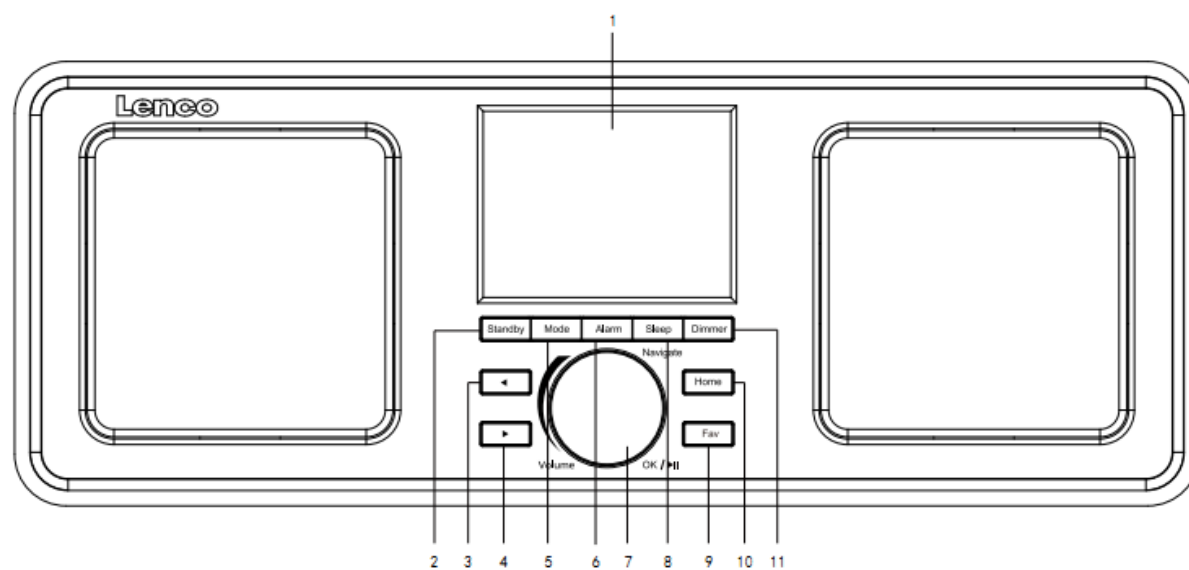
28. The usb memory stick should be plugged into the unit directly. Don't use an usb extension cable because it can cause interference resulting in failing of data.
29. The apparatus shall not be exposed to dripping or splashing and make sure that no objects filled with liquids, such as vases, are placed on or near the apparatus.
30. To completely disconnect the power input, the mains plug of the apparatus shall be disconnected from the mains, as the disconnect device is the mains plug of apparatus.
31. The mains plug of the apparatus should not be obstructed or should be easily accessed during intended use.
32. Battery shall not be exposed to excessive heat such as sunshine, fire or the like.
33. Minimum distance of 10cm around the apparatus is needed for sufficient ventilations.
34. The ventilation should not be impeded by covering the ventilation openings with items such as newspapers, table-cloths, curtains etc.
35. No naked flame sources such as lighted candles should be placed on the apparatus.
36. Attention should be drawn to the environmental aspects of battery disposal.
37. The apparatus can only be used in moderate extremely cold or climates warm environments should be avoided.
38. The rating label has been marked on the bottom panel of the apparatus.
39. This device is not intended for use by people (including children) with physical, sensory or mental disabilities, or a lack of experience and knowledge, unless they're under supervision or have received instructions about the correct use of the device by the person who is responsible for their safety.
40. This product is intended for household use only and not for commercial or industrial use.
41. Make sure the unit is adjusted to a stable position. Damage caused by using this product in an unstable position or by failure to follow any other warning or precaution contained within this user manual will not be covered by warranty.
42. Never remove the casing of this apparatus.
43. Never place this apparatus on other electrical equipment.
44. Do not use or store this product in a place where it is subject to direct sunlight, heat, excessive dust or vibration.
45. Do not clean this product with water or other liquids.
46. Do not block or cover the slots and holes in the product.
47. Do not push foreign objects into the slots or holes in the product.
48. Do not allow children access to plastic bags.
49. Please check that the voltage on the type plate of your appliance corresponds with your house electricity supply (type plate is located on the back of the unit).
50. Protect the power cord from being walked on or pinched, particularly at plugs, convenience receptacles, and the point where they exit from the apparatus.
51. Only use attachments/accessories specified by the manufacturer.
52. Refer all servicing to qualified service personnel. Servicing is required when the apparatus has been damaged in any way, such as the power supply cord or the plug, when liquid has been spilled or objects have fallen into the apparatus, when the apparatus has been exposed to rain or moisture, does not operate normally, or has been dropped.
53. Do not use a damaged power cord or plug or a loose outlet. Doing so may result in fire or electric shock.

Warning: prolonged exposure to loud sounds from personal music players may lead to temporary or permanent hearing loss.

INSTALLATION

- Unpack all parts and remove protective material.
- Do not connect the unit to the mains before checking the mains voltage and before all other connections have been made.
- Do not cover any vents and make sure that there is a space of several centimeters around the unit for ventilation.

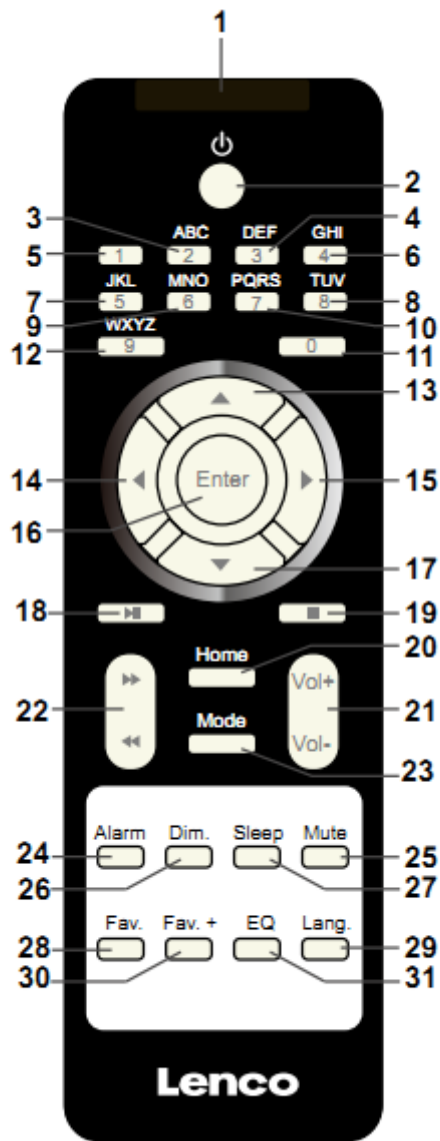
2. Product Overview



1. Display
2. Standby
3. Left
4. Right
5. Mode
6. Alarm
7. Vol/Nav/Ok/Play/Pause: Rotate=Vol/Scroll Press=Select
8. Sleep
9. Fav
10. Home

11. Dimmer
12. Power on/off
13. DC-IN
14. Line-out (3.5mm)
15. Aux-in (3.5mm)
16. USB Socket

Remote Control



1. Remote Transmitter
2. Standby button
- 3-12. Input letters and numbers
13. Up Cursor button

14. Left cursor button
15. Right cursor button
16. Enter button
17. Down cursor button
18. Play/Pause button
19. Stop button
20. Home button
21. Vol+/-
22. Go back/forward one track
23. Mode selection button
24. Alarm setting button
25. Mute button
26. Dimmer button
27. Sleep button
28. Fav button
29. Language selection button
30. Fav+ button
31. EQ set tone

3. INITIAL USE

Before operation, please make sure that the VOLTAGE mentioned on the power supply is same as the voltage of your local area.

Use the supplied mains adaptor to connect the device to a household mains socket.

Switch the device on with the power switch on the rear.

When it is the first time running the device, the system will ask you to set Language and Network Configurations. You may setup the network connection immediately, or set it later. Use Navigate to select the desired option. Press Navigate/OK to confirm.


Press Standby button when unit is power on, unit will go to standby mode. Press again will make it On again.


4. Network configuration

1. Normal network configuration

Select “Yes” for the normal Wireless Network Configuration: The select the required AP by turning “Navigate” and confirm it by pressing “Navigate/OK”.

Enter WEP or WPA code to connect the WiFi network by select the correct character turning the “Navigate/OK” button.

Press  button to select the next character.

In this condition, press  button you can turn left and delete the left characters at the same time:

When the password is complete please press “Navigate/OK” button to confirm.

Note: Below characters are available for the radio:

Numbers (from 0-9)

English letters (from A to Z and from a to z)

Other characters (DEL, @, Blank, !, ", #, \$, %, &, *, ', + and (,))

2. WPS PBC network configuration

Select “Yes WPS” when you would like set up with Wireless Network (WPS PBC) feature: If you are using a router with WPS button, you may set up the network connection simple via WPS function.

Enter it and go to press the WPS button on your router within 120 seconds.

The connection between the router and the Radio will then be configured automatically.

Select “No” when you do not want to install the network at the moment.

3. No network configuration

Pls select “NO” when you do not like to configure the network connection at the moment.

Press “Standby” for standby. When the actual date and time is shown the network is configuration is well done. Date and time, as well as alarms-if activated-will still are shown on the display when in standby mode.

5. INTERNET RADIO

Switch on “Standby” and rotate Navigate to scroll through the main menu. Press OK (to enter sub menus or confirm settings)

Press ◀ to return to the previous menu.

After the connection of any station is succeeded, station information's will be shown: information content can be changed with ◀ or ▶ button.

My Favorites

List of my favorite preset stations. It supports 250 favorite entries including stations and folder. During the station playing screen, press and hold Fav on the device or “Fav.+” on the remote control to save the station as my favorite. You may replace the previous saved station to the new one.

If the Selected station has been saved, you cannot save it again. The saved stations are showed under this menu. You may also press Fav to enter the saved station list. You may enter the number key on the remote control to recall the saved station.

Under the preset station list, move to your station, press OK from unit or Enter from remote control to listen.

Enter its submenu with ▶ button, Shift Up/Down along the list, Rename, Play, or Use as Alarm Sound (if you chose internet as alarm sound in alarm configuration).

Radio Station/Music

Stations are categorized into Global Top 20, Genre and Country/Location (Africa, Asia, Europe, Middle East, North America, Oceania/Pacific, and South America). Enter to continue the subcategories and choose the station to listen.

For each station, press OK from unit or Enter from remote control to play directly.

Press ▶ to enter its submenu. When you choose Auto-scan, each of the subcategory stations will be playing for 30 seconds, until the last station in the list is played. Press the ‘select’ button on the unit or ‘enter’ on the remote to stop auto-scan listening and listen to the present station.

You can press the ▶ button to view the display the station information.

Local Radio:

Stations are categorized to the country/location which the unit is operated.

History:

List of the ten recently listened stations.

Service:

Search radio station-Enter your keyword to search radio station from the list.

Add new radio by adding IP address, the added stations will be stored in My Favorite.

Note that the maximum character of the station name is 250.

6. Media Center

Select the USB/UPnP mode or playlist mode with Navigate/OK or with the Mode button.

UPnP

If you have set up shared media, you should see the shared media from UPnP.

If you have more than one computer sharing media, the alternatives are listed.

Select the shared media you want to play.

Use Play/Pause (18), Next/Prev (22) and Stop (19). Press Right cursor button (15) to view the display information of the playing track.

Note: The radio can only read the track with the file name less than 40 characters. The characters should be in European Language. If you encounter failure of reading the track under UPnP mode, you may try to rename the file. However, if the track is still unable to play, you can try converting the file to different formats.

USB:

From this point on, menus are generated from the folders on the USB device. It can support WMA/MP3/AAC/AAC+/FLAC/WAV format. FLAC can support 16Bit/8K~48K Sample Rate, 64Kbps.

Brows folders with the NAV wheel or direction keys (13/14/15/17) on the remote control.

The display shows folder and file names (not necessarily track names).

Once you have found a track you want to play, press the navigate wheel on the device or press Enter on the remote control.

Note: The USB port does not support data transfer with a computer.

My Playlist:

You can create a playlist of favorite music from UPnP. When you playing the music, press and hold OK from unit or Enter from remote control to save it into My Playlist.

Clear My Playlist

Pls select this option for clearing the playlist. Pls confirm the questions.

7. My media U

Display and playback your own mediaU station list on the mediaU server. Set your account first. To activate your own station list, follow the steps below:

Access <http://www.mediayou.net/>. Join my mediaU membership. Login to the website;

Enter the wireless MAC address of Radio to the mediaU website. This information can be obtained in information Center > System information > Wireless Info;

When successfully configured, you are able to save and view your own mediaU station playlist(s). Username and password are not required to enter to the Radio.

If there are different accounts stored in Radio, you can choose the one you currently use under Configuration menu. On the website, you may save stations to Favorite Station, set Favorite Location/Genre and My Local City, or add stations manually. The stations can be viewed from My Media mode on the Radio.

8. Information Center

Weather

There are weather information and forecasts for 2000 cities.

Choose the 'Set location' option and choose your location, press 'enter' and choose 'country'. You now can select a city.

The device is able to display the weather information in standby mode. To do this goes to the weather option in the setting menu and select 'Show on Standby'

Financial Info

View the stock index

System Information

View details of units and of connect network. The information includes MAC address which you are required to fill in when registration of “my mediaU” membership.

9. CONFIGURATION

Time Display	Analog/digital
My MediaU	When it is enabled, My mediaU will exist on the main menu. If various mediaU accounts exist in the Radio, Select the default login account in here.
Network	<p>Wireless Network Configuration: Enable/disable WiFi network. When you enable the WiFi network, the system will automatically select the required AP. Enter WEP or WPA code to connect the WiFi.</p> <p>Wireless Network (WPS PBC): If you are using a router with WPS/QSS button, you may set up the network connection simple via WPS function. Enter it and go to press the WPS/QSS button on your router within 120 seconds. The connection between the router and Music Link will then be configured automatically.</p> <p>Manual Configuration: You can choose DHCP (which IP assigned automatically) or manually input IP address for wireless network connection. When you select manual setting for wired connection, the following have to be entered: SSID (name of access point), IP Address, subnet mask, default gateway, preferred DNS server, and alternate DNS server.</p> <p>Check Network When Power On: Enable/disable WiFi network. When you enable the WiFi network, the system will automatically search the available AP. Select required AP.</p>
Date & Time	<p>Setup the date and time</p> <p>Set time format display as 12 Hour or 24 Hour</p> <p>Set date format(YYYY/MM/DD-DD/MM/YYYY-MM/DD/YYYY)</p> <p>Daylight SavingTime(DST)</p> <ul style="list-style-type: none">o ON <p>Tips: On the model of “ON”, the time will be one hour More than the actual time.</p> <ul style="list-style-type: none">o OFF <p>Tips: On the model of “OFF”, the time will be same as the actual time. If it was on the model of the “Daylight Saving Time(DST) and you choose “OFF”, the time will be deducted one hour, that’s to say, the time will be same as the actual time.</p>
Alarm	<p>There are 3 independent Alarms which can be set. 2 different Alarms (Alarm 1, Alarm 2) and one NAP alarm which is a countdown alarm which can be used when doing a quick sleep.</p> <p>Press the Alarm button on the remote control to enter the alarm settings menu directly and follow the following steps.</p>

Setting the alarm

- Press 'Alarm' button on the unit or remote.
- Select Alarm 1
- Select Turn On
- Press the 'ok' button on the remote or press the navigation wheel on the unit.
- Press the 'ok' on the "Repeat:" option and select the how the alarm should work.
(Everyday, once or select the required days)
- Press the left arrow key on the remote or unit to return to the previous alarm menu
then select "Time:" and press 'ok'
- You now can use the up down buttons to change the highlighted Hours then press the right arrow button once to switch to the Minutes and use the up/down buttons to change the minutes. press the 'ok' button to confirm.
- Select the "Sound:" and press the 'ok' button. Now you can choose between Beep Melody Internet radio and USB (when inserted)

When internet radio is selected as wake up sound, you can use one of your favorite radio stations (which have to be stored as favorite on the DIR-150).

Note: when no internet connection is available within 1 minute after the alarm is activated

the DIR-150 will automatically switch to Melody.

When selecting USB as wake up sound, you can select one of the music files stored on the inserted usb memory device.

Repeat the above steps to setup the alarm 2

Setting the NAP alarm

- Press 'Alarm' button on the unit or remote.
- Select NAP alarm
- Use the up/down buttons to choose the desired minutes.
You can choose 5/10/20/30/60/90 or 120 minutes and then press the 'ok' button to select
- Press the left arrow button to return to the main screen.

When the NAP alarm is activated you see a clock icon on the lower right corner with the remaining time.

Timer

Countdown timer (max. 100min)

Language

English/Deutsch/Espanol/Francais/Portugese/Nederlands/Italiano/Pyccknn/Svenska/Norske/Dansk/Magyar/Cesky/Slovensky/Polski/Turkce/Suomi

Dimmer

Power Saving/Turn On

Display

color/monochrome

Power Mgmt

Configure to go to standby mode automatically during in the menu or/and without Wifi signal. Choose the power management timer (5/15/30mins) to set the duration of the radio to switch standby mode automatically when you are not controlling it. Choose Turn off to ignore the power management function.

Sleep Timer	Turn off or set the sleep timer of 15/30/60/90/120/150/180 minutes. Once the time is set, there will be a bed icon with remaining minutes at the top right corner and the device will turn to standby then. Press Sleep on the remote control for the shortcut of this function.
Buffer	Configure the buffer time of the music playback, 2/4/8 seconds.
Weather	Activate/deactivate the weather forecast for the standby display. Choose your preferred temperature unit (°F or °C) and then proceed entering your location. When activated, the weather forecast is shown in turns with the clock display on the standby screen (each 10 secs)
FM Setup	You could choose Mode or Threshold
Local Radio Setup	There is a shortcut Local Radio under Internet Radio so that you can easily go to the station list of your location. You may Manual Setup your location, or let the system Auto Detect your current location. The system detects the location according to the IP address of your connected network. Press Local Station to enter this local radio list directly.
Playback Setup	Select the playback mode of media center-Off (no repeat or shuffle), Repeat all, Repeat one, or Shuffle.
Device	Default device name for DLNA is "AirMusic". You may rename it for DLNA setup on the PC or mobile. QR code for download and install "AirMusic" control App.
Equalizer	Default equalizer is Normal, you may change to Flat, Jazz, Rock, Soundtracks, Classical, Pop, or News MY EQ. Press EQ on the remote control to swap among the EQ mode for shortcut.
Resume When Power On	The system is default to resume internet radio playback if you were listening to internet radio or media center before switch off the unit. If turn this setting off, the system will remain in the main menu when switching on the unit.
Software Update	Update software. If there is an updated software version on the server, the system will notify you. Before starting a software upgrade, ensure that the unit is plugged into a stable mains power connection. Disconnecting power during a software update may permanently damage the unit.
Reset to Default	Restore the default settings. After the DIR-150 is reset, the system will move to language is elected.

10. DLNA/UPnP

You may change the default DLNA name as you like. The information below is the introduction of how to setup media streaming from PC or other Media server.

Please check the instruction manual of the media server you are going to use. Make sure the music files are in the correct format otherwise the DIR-150 cannot play these. (Compatible formats are MP3, FLAC or AAC.)

UPnP

Connect the PC to the network.

Ensure the Radio is powered on and connected to the same network.

Open the UPnP platform Windows Media Player (11 or later). Alternatively, other platforms or server such as Windows Media Connection may be used.

Allow to share your media to Radio.

Add the audio files and folders you want to share with radio to the media library.

You may also enjoy the streaming music from other music server, such as smart phone (Android platform)

Connect the mobile to the network

Search and install media sharing apps from Google Play.

Add the audio files from your mobile you want to share.

After setup the shared server, choose the music and control playback on the Radio.

DLNA

Besides UPnP, Radio supports DLNA function, you share the music files from PC or Android mobile, and you use your PC, Android mobile or iPhone/iPad to control music playback on the Radio. (It is not required to control each playback on the Radio.)

The PC system requirement for DLNA is Windows 7 and Windows Media Player 12. Setup as below: First, share the media on your PC to Radio.

Control Panel > Network and Internet > Network and Sharing Center > Change Advanced Sharing > Media streaming options

Open Windows Media Player to enable Allow remote control of my Player.

Right click any music in the library and choose Play to Radio.

There will be a window for controlling music playback on Radio.

You may search and install any free or commercial DLNA apps from Google Play or Apple Store if you are using Android mobile, tablet or iPhone/iPad. It is suggested to use bubble UPnP, Twonky Beam on Android mobile, tablet or Twonky Beam on iPhone/iPad. Some apps may not support streaming music from iPhone/iPod but iPhone/iPod could still be used to control streaming music from other servers.

Procedures for playing shared music on the app are as follows:

Select Radio as the player. Some apps may allow to play the music to multi players at the same time.

Select music server and choose the music. Some app can create a playlist if you choose several music.

Please note: When using DLNA music streaming function on the Internet Radio, you can only control the volume and standby via the unit. It is restricted to control the other functions. StopDLNA on PC, mobile or tablet before you resume Internet radio's own control.

11. AUX (Line input)

Aux in mode plays audio from an external source such as an MP3 player. To play audio with Aux in mode:

Turn the volume low on both the Radio and if adjustable, the audio source device.

Connect the external audio source to the AUX IN 3.5mm stereo socket.

Either press MODE until the display, shows AUX IN or select AUX in under Main menu.

Adjust the volume of the Radio (and, if necessary, the audio source device) as required.

12. FM operation

With your radio on, press the Mode button to select FM mode or press ◀ / ▶ button to select FM mode in the menu.

Press the ◀ / ▶ button to manually tune to specific frequencies by 0.05MHz per step.

The radio also includes the scan feature of FM, allowing you to automatically tune to FM stations.

Press and hold the ▶ button to automatically search for the next available radio station. When a station with good signal is found, it will be automatically played.

You can search for stations in the opposite direction by pressing and holding the ◀ button.

Press the Navigate/OK rotary knob, it can automatically scan fully and store the 20 stations (the max).

Storing stations as presets

Radio can store 20 stations as presets in FM mode. To store a preset:

Tune to the station you like, press and hold the Fav button, then using the ◀ / ▶ button or rotate the Navigate/OK rotary knob to select desired preset number, then press Vol/Nav/Ok rotary knob to store the station.

Playing stations saved as presets

To play a preset station:

Select the band FM of the station by pressing the Mode button or press ◀ / ▶ button to select FM mode in the menu.

Press the Fav button to recall the preset station, then using the ◀ / ▶ button or rotate the Navigate/OK rotary knob to browse through your presets and press the Navigate/OK rotary knob to confirm.

13. Bluetooth

With your radio on, press the Mode button to select Bluetooth mode or press ◀ / ▶ button to select Bluetooth mode in the menu.

Turn on the Bluetooth of your device and choose the pairing name "DIR-150 BT" and click it for pairing, there will be prompt sound "connected" if Bluetooth connection successful.

You can press ◀ or ▶ to go to previous track or next track.

You can press navigate knob to play or pause the music playback.

You can adjust the knob clockwise to increase the volume or anti-clockwise to decrease the volume.

You can press and hold the navigate knob to disconnect the existing pairing and pair with new device.

14. Technical Specifications

Network	802.11b/g/n (WLAN) Encryption: WEP, WPA, WPA 2(PSK), WPS
Streaming	UPnP, DLNA
Supported file types	MP3, FLAC, AAC
Connections	DC, USB(charging 5V 0.5A), 3.5mm AUX-IN, 3.5mm Line-Out
Input	100-240VAC – 50/60Hz
Output	9V/2A
Output power	2 x 8W RMS
Batteries in remote control	CR2025 button cell
Power consumption	Max 20W
Power consumption (standby)	<1W
Network stand-by power consumption	<2W
Operating Temperature	0°C-35°C
Operating position	Horizontal

Power supply adaptor: (For EU only)
Manufacturer: Dongguan Yingna Electronic Technology Co., LTD
Model Number: YN-24WA090200EU
Use only original AC adaptor
Use only the power supply listed in the user instructions.

Dim. unit	310 x 114.9 x 116 mm (WxDxH)
Weight	1645g

15. Guarantee

Lenco offers service and warranty in accordance with the European law, which means that in case of repairs (both during and after the warranty period) you should contact your local dealer.

Important note: It is not possible to send products that need repairs to Lenco directly. Important note: If this unit is opened or accessed by a non-official service center in any way, the warranty expires. This device is not suitable for professional use. In case of professional use, all warranty obligations of the manufacturer will be voided.

16. Disclaimer

Updates to Firmware and/or hardware components are made regularly. Therefore some of the instruction, specifications and pictures in this documentation may differ slightly from your particular situation. All items described in this guide for illustration purposes only and may not apply to particular situation. No legal right or entitlements may be obtained from the description made in this manual.

17. Disposal of the Old Device



This symbol indicates that the relevant electrical product or battery should not be disposed of as general household waste in Europe. To ensure the correct waste treatment of the product and battery, please dispose them in accordance to any applicable local laws of requirement for disposal of electrical equipment or batteries. In so doing, you will help to conserve natural resources and improve standards of environmental protection in treatment and disposal of electrical waste (Waste Electrical and Electronic Equipment Directive).



18. Service

For more information and helpdesk support, please visit www.lenco.com

Lenco Benelux BV, Thermiekstraat1a, 6361 HB, Nuth, The Netherlands.

Het gebruik van bediening of instellingen of het uitvoeren van procedures anders dan zoals zij hierin staan beschreven, kan leiden tot blootstelling aan gevaarlijke straling.

Dit apparaat mag alleen worden afgesteld of gerepareerd door gekwalificeerd onderhoudspersoneel.

VOORZORGSMAATREGELEN

1. Niet gebruiken in de buurt van water.
2. Alleen schoonmaken met een licht bevochtigde doek.
3. Blokkeer de ventilatieopeningen niet. Houd ten minste 5 cm (2") ruimte vrij rond het gehele apparaat als het op een plank wordt geplaatst.
4. Installeer in overeenstemming met de meegeleverde handleiding.
5. Bescherm het netsnoer, zorg ervoor dat er niet op gestapt wordt en dat het niet geplet wordt, vooral bij de stekker en het punt waar de kabel het apparaat verlaat. Plaats geen zware voorwerpen, die het netsnoer kunnen beschadigen, op het netsnoer. Houd het gehele apparaat buiten bereik van kinderen! Zij kunnen zichzelf ernstig verwonden wanneer ze met het netsnoer spelen.
6. Haal de stekker uit het stopcontact tijdens onweer of bij lange perioden van niet-gebruik.
7. Houd het apparaat uit de buurt van warmtebronnen zoals radiatoren, kachels, fornuizen, kaarsen en andere producten die warmte genereren.
8. Gebruik het apparaat niet in de buurt van sterke magnetische velden.
9. De normale werking van het product kan worden verstoord door elektrostatische ontlading. Als dit het geval is, reset het apparaat en start het opnieuw op volgens de instructies in de handleiding. Ga tijdens het overdragen van bestanden voorzichtig te werk en gebruik het apparaat in een statisch-vrije omgeving.
10. Waarschuwing! Steek nooit voorwerpen door de ventilatieopeningen in het product. Er stromen hoge spanningen in het product en een voorwerp in het product steken kan leiden tot elektrische schokken en/of kortsluiting door dezelfde reden, mors geen water of vloeistoffen op het product.
11. Gebruik het product niet in natte of vochtige omgevingen, zoals badkamers, stomige keukens of in de buurt van zwembaden.
12. Gebruik het apparaat niet als er condens kan ontstaan.
13. Dit product is geproduceerd volgens alle geldende veiligheidsnormen. De volgende veiligheidstips moeten de gebruikers beschermen tegen onzorgvuldig gebruik en de gevaren die verbonden zijn met een dergelijk gebruik.
14. Hoewel het apparaat zorgvuldig vervaardigd is en uitvoerig is gecontroleerd alvorens het de fabriek verlaat, geldt net als bij alle elektrische apparaten dat het mogelijk is dat er zich een probleem ontwikkelt. Als u rook, een te grote ophoping van warmte of andere onverwachte verschijnselen opmerkt, dan moet u direct de stekker uit het stopcontact halen.
15. Zorg ervoor dat het apparaat voldoende wordt geventileerd!
Het apparaat moet worden aangesloten op een voedingsbron die overeenkomt met de informatie op het de specificatielabel. Als u niet zeker bent van het type stroomvoorziening in uw huis, neem dan contact op met uw dealer of het plaatselijke elektriciteitsbedrijf.
16. Het stopcontact moet geïnstalleerd zijn in de buurt van het apparaat en eenvoudig bereikbaar zijn.
17. Overbelast stopcontacten of verlengsnoeren niet, dit kan leiden tot brand of elektrische schokken.
18. Klasse 1-apparaten moet worden aangesloten op een stopcontact met een gearde aansluiting.
19. Apparaten met een klasse II adapter hebben geen gearde aansluiting nodig.
20. Uit de buurt van knaagdieren houden. Knaagdieren vinden het leuk om in snoeren te bijten.
21. Trek altijd aan de stekker wanneer u de stekker uit het stopcontact haalt. Trek niet aan het netsnoer, dit kan kortsluiting veroorzaken.
22. Plaats het apparaat niet op oppervlakken die kunnen worden onderworpen aan trillingen of schokken.
23. Haal tijdens onweer de stekker uit het stopcontact om het apparaat te beschermen.
24. Haal de stekker voor veiligheidsredenen uit het stopcontact als het apparaat lang niet wordt gebruikt.
25. Gebruik een zachte droge doek om dit apparaat te reinigen. Gebruik geen oplosmiddelen of vloeistoffen op basis van benzine. U kunt een vochtige doek met verdund afwasmiddel gebruiken voor hardnekkige vlekken.
26. Lenco is niet verantwoordelijk voor schade of het verlies van gegevens door storingen, verkeerd gebruik of wijzigingen aan het apparaat.
27. Verbreek de verbinding niet wanneer het apparaat wordt geformatteerd of tijdens de overdracht van bestanden. Als u dit toch doet, dan kunnen gegevens beschadigd raken of verloren gaan.

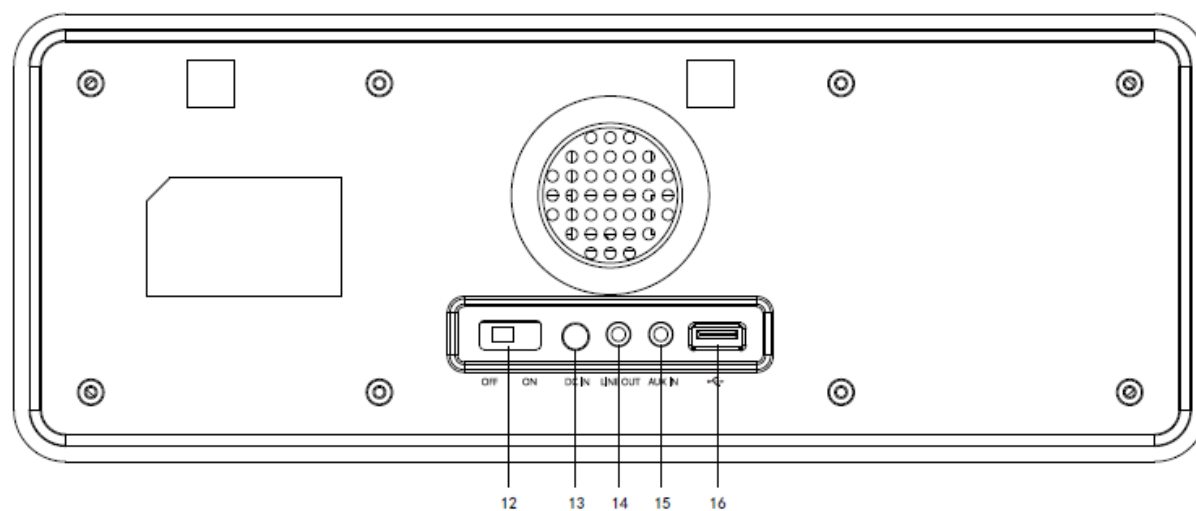
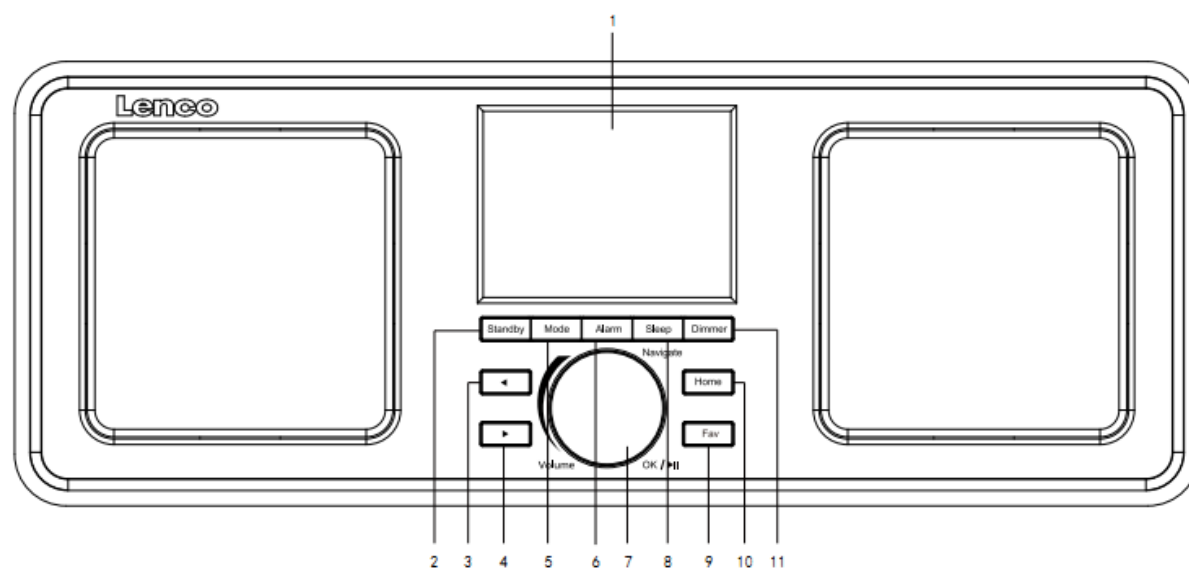
28. Het apparaat mag niet worden blootgesteld aan druppelend of opspattend water en er mogen geen voorwerpen gevuld met vloeistoffen, zoals vazen, op of in de buurt van het apparaat worden geplaatst.
29. Om de stroom volledig af te sluiten, moet de stekker van hetm apparaat uit het stopcontact worden gehaald. De stekker is in feite de schakelaarvoorziening van het apparaat.
30. De stekker van het apparaat mag niet worden geblokkeerd of moet gemakkelijk bereikbaar zijn als het apparaat in bedrijf is.
31. Batterijen mogen niet aan overmatige hitte, zoals zonlicht, open vuur e.d., worden blootgesteld.
32. Zorg voor een afstand van tenminste 10 cm rondom het apparaat voor voldoende ventilatie.
33. De ventilatie mag niet worden gehinderd door het bedekken van de ventilatieopeningen met voorwerpen zoals kranten, tafelkleden, gordijnen etc.
34. Er mag geen open vuur, zoals brandende kaarsen, op het apparaat worden geplaatst.
35. Aandacht voor het milieu is nodig bij het verwijderen van de batterijen.
36. Gebruik het apparaat alleen in een gematigd klimaat; extreem koude en warme omgevingen moeten worden vermeden
37. Het typeplaatje vindt u aan de onderkant van het apparaat.
38. Dit apparaat is niet bedoeld voor gebruik door personen (inclusief kinderen) met verminderde lichamelijke, zintuiglijke of geestelijke vermogens, of gebrek aan ervaring en kennis, tenzij zij onder toezicht staan of instructies over het gebruik van het apparaat hebben ontvangen door een persoon die verantwoordelijk is voor hun veiligheid.
39. Dit product is alleen voor huishoudelijk gebruik bedoeld en niet voor commercieel of industrieel gebruik.
40. Verzeker u ervan dat het apparaat in een stabiele positie staat opgesteld. Schade, veroorzaakt door het gebruik van dit product in een onstabiele positie, of door het niet naleven van waarschuwingen of voorzorgsmaatregelen genoemd in deze handleiding, valt niet onder de garantie.
41. Verwijder nooit de behuizing van dit apparaat.
42. Plaats dit apparaat nooit op een ander elektrisch apparaat.
43. Dit product niet gebruiken of opslaan op plaatsen waar het wordt blootgesteld aan direct zonlicht, hitte, buitensporig veel stof of trillingen.
44. Reinig dit product niet met water of andere vloeistoffen.
45. Bedek of blokkeer de gleuven en de gaten in het product niet.
46. Stop geen vreemde voorwerpen in de gleuven of gaten van het product.
47. Geef kinderen geen gelegenheid in aanraking met plastic zakken te komen.
48. Controleer of de spanning op het specificatieplaatje van uw apparaat overeenkomt met het lichtnet in uw huis (specificatieplaatje is te vinden op de achterzijde van het apparaat).
49. Zorg ervoor dat niemand op de voedingskabel kan gaan staan of dat de kabel kan worden ingedrukt, voornamelijk bij stekkers, stopcontacten en het punt waar kabels uit het apparaat komen.
50. Gebruik uitsluitend uitbreidingen/accessoires gespecificeerd door de fabrikant.
51. Laat alle reparaties over aan gekwalificeerd onderhoudspersoneel. Reparatie is vereist wanneer het apparaat op enige wijze beschadigd is geraakt, bijvoorbeeld een beschadigde voedingskabel of stekker, vloeistof of voorwerpen zijn in het apparaat terechtgekomen, het apparaat is blootgesteld aan regen of vocht, het apparaat werkt abnormaal of is gevallen.
52. Gebruik nooit een beschadigde voedingskabel of stekker of een los stopcontact. Dit vormt namelijk een risico op brand of elektrische schokken.
53. Usb-sticks moeten rechtstreeks in het apparaat worden gestoken. Gebruik geen usb-verlengkabels omdat dit kan leiden tot het verlies van gegevens en storingen.

Waarschuwing: langdurige blootstelling aan harde geluiden van persoonlijke muzikspelers kan leiden tot tijdelijk of permanent gehoorverlies.

INSTALLATIE

- Neem alle onderdelen uit de verpakking en verwijder de beschermende materialen.
- Controleer het voltage van uw elektriciteit voor u het apparaat op stroom aansluit en zorg dat alle andere verbindingen eerst gedaan zijn.
- Laat de ventilatiegaten vrij en zorg voor een ruimte van een aantal centimeters rondom het apparaat voor goede ventilatie.

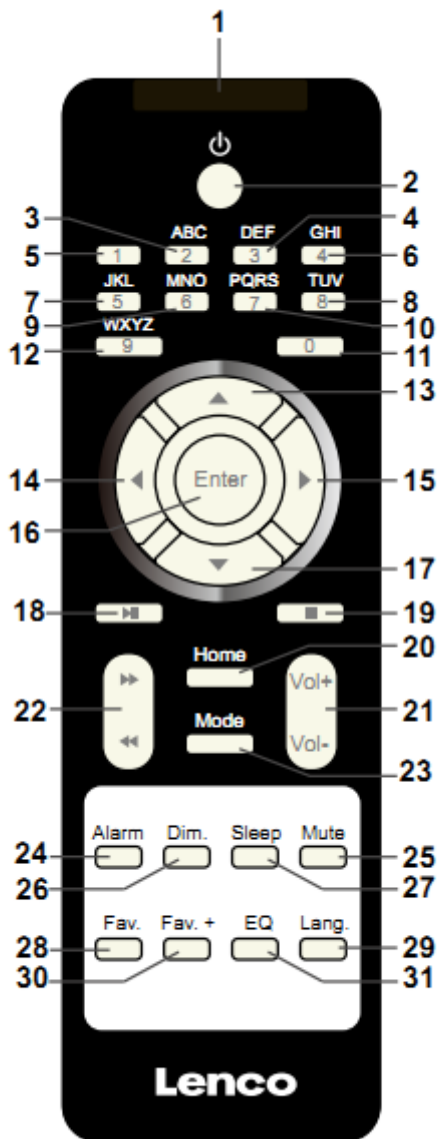
2. Productoverzicht



1. Scherm
2. Stand-by
3. Links
4. Rechts
5. Modus
6. Alarm
7. Vol/Nav/Ok/Start/Pauze: Draaien=Vol/Scrollen Indrukken=Selecteren
8. Slapen
9. Fav
10. Home

11. Dimmer
12. In-/uitschakelen
13. Voedingsingang
14. Lijnuitgang (3,5mm)
15. Aux-ingang (3,5mm)
16. USB-aansluiting

Afstandsbediening



1. Afstandszender
2. Stand-by-toets
- 3-12. Letters en cijfers invoeren
13. Cursor omhoog-knop

14. Cursor naar links-knop
15. Rechter cursortoets
16. Bevestig knop
17. Cursor omlaag-knop
18. Afspelen/Pauzeren-toets
19. Stop-toets
20. Home-toets
21. Vol+/-
22. Ga één track terug/vooruit
23. Toets voor modusselectie
24. Toets voor alarminstelling
25. Dempertoets
26. Dimmertoets
27. Slaap-toets
28. Favorietentoets
29. Toets voor taalselectie
30. Fav+ toets
31. EQ Voor het instellen van de toon

3. AANVANKELIJK GEBRUIK

Controleer a.u.b. voorafgaand aan gebruik dat de SPANNING aangegeven op de voedingsbron hetzelfde is als uw plaatselijke spanningstoevoer.

Gebruik de meegeleverde netadapter om het apparaat aan te sluiten op een huishoudelijk stopcontact.

Schakel het apparaat in met de aan-/uitschakelaar op de achterzijde.

Als de radio voor de eerste keer aangaat, zal het systeem u vragen de Language (Taal) en de Network Configurations (Netwerkinstellingen) in te stellen. U kunt de netwerkverbinding onmiddellijk instellen of op een later tijdstip. Gebruik Navigate om de gewenste optie te selecteren. Druk op Navigate/OK om te bevestigen.

Druk op de toets Standby wanneer het apparaat is ingeschakeld om deze op stand-by te schakelen. Druk nogmaals in om het apparaat weer in te schakelen.

4. Netwerkconfiguratie

1. Normale netwerkconfiguratie

Selecteer "Yes" (Ja) voor de normale draadloze netwerkconfiguratie: Draai vervolgens "Navigate" om het vereiste toegangspunt te selecteren en druk ter bevestiging op "Navigate/OK".

Voer de WEP- of WPA-code in om verbinding te maken met het WiFi-netwerk door de toets "Navigate/OK" te draaien en de juiste karakters te selecteren.

Druk op de toets **▶** om het volgende karakter te selecteren.

U kunt in deze modus ook op de toets **◀** drukken om het vorige karakter te selecteren en deze gelijktijd te wissen:

Wanneer het wachtwoord volledig is ingevoerd, druk a.u.b. ter bevestiging op de toets "Navigate/OK".

Opmerking: De volgende karakters zijn beschikbaar voor deze radio:

Cijfers (van 0-9)

Engelse letters (van A tot Z en van a tot z)

Overige karakters (WIS, @, Blanco, !, ", #, \$, %, &, *, ', + en (,))

2. WPS PBC netwerkconfiguratie

Selecteer "Yes WPS" (Ja WPS) wanneer u de draadloze netwerkfunctie (WPS PBC) wilt instellen: Als u gebruik maakt van een router met een WPS-knop, kunt u de netwerkverbinding eenvoudig instellen via de WPS-functie. Stel het in door binnen 120 seconden op de WPS-knop te drukken.

De verbinding tussen de router en radio zal vervolgens automatisch worden geconfigureerd.

Selecteer "No" (Nee) wanneer u op dit moment geen netwerk wilt configureren.

3. Geen netwerkconfiguratie

Selecteer "No" (Nee) wanneer u op dit moment geen netwerk wilt configureren.

Druk op "Standby" voor stand-by. De netwerkconfiguratie is geslaagd wanneer de actuele datum en tijd worden weergegeven. De datum, tijd en alarmen (indien geactiveerd) zullen ook in stand-by op de display worden weergegeven.

5. INTERNETRADIO

Schakel in met "Standby" en draai Navigate om het hoofdmenu te doorlopen. Druk op OK (om submenu's te openen of instellingen te bevestigen).

Druk op ◀ om terug te keren naar het vorige menu.

Nadat de verbinding met enigerlei station is geslaagd, zal de informatie van dat station worden weergegeven: Gebruik de toets ◀ of ▶ om de informatie te doorlopen.

Mijn favorieten

Lijst van mijn favoriete voorkeurstations. De radio ondersteunt 250 favoriete voorkeuren, inclusief stations en mappen. Houd tijdens het scherm voor stations afspelen Fav op het apparaat ingedrukt of "Fav.+" op de afstandsbediening om het stations als favoriet op te slaan. U kunt het vorige opgeslagen station vervangen door de nieuwe.

Als het geselecteerde station is opgeslagen, kunt u het niet opnieuw opslaan. De opgeslagen stations worden getoond in dit menu. U kunt ook op Fav drukken om de lijst met opgeslagen stations te openen. U kunt de cijfertoetsen op de afstandsbediening gebruiken om een opgeslagen station te herroepen.

Wanneer de lijst met opgeslagen stations is geopend, kunt u naar het gewenste station bewegen en op OK op het apparaat of op Enter op de afstandsbediening drukken om naar dat station te luisteren.

Gebruik de toets ▶ om het submenu van het station te openen en doorlop de lijst voor de opties Rename (Hernoemen), Play (Afspelen) of Use as Alarm Sound (Als alarmgeluid gebruiken) (als u internet als alarmgeluid hebt gekozen in de alarmconfiguratie).

Radiostation/Muziek

Stations zijn ingedeeld op Globale Top 20, Genre en Land/Locatie (Afrika, Azië, Europa, Middenoosten, Noord-Amerika, Oceanië/Stille Oceaan en Zuid-Amerika). Kies er een om de subcategorieën te openen en kies de zender om naar te luisteren.

Voor elk station, druk op OK op het apparaat of op Enter op de afstandsbediening om direct af te spelen.

Druk op ▶ om het submenu ervan te openen. Wanneer u de automatische scan selecteert, dan zullen alle stations in de subcategorie 30 seconden lang worden afgespeeld totdat het laatste station in de lijst is afgespeeld. Druk op de toets 'Select' op het apparaat of op 'Enter' op de afstandsbediening om de automatische scan te stoppen en naar het huidige station te luisteren.

U kunt op de toets ▶ drukken om de stationsinformatie weer te geven.

Lokale radio:

Stations zijn ingedeeld op het land/de locatie waar het apparaat wordt gebruikt.

Geschiedenis:

Lijst van de tien laatst beluisterde stations.

Service:

Naar een radiostation zoeken, voer een trefwoord in om naar een radiostation in de lijst te zoeken.

Een nieuw station toevoegen door een IP-adres in te voeren; toegevoegde stations worden opgeslagen in "My Favorite" (Mijn favorieten).

Merk op dat 250 tekens het maximale aantal tekens van de naam van het station is.

6. Mediacentrum

Selecteer de modus USB/UPnP of de afspeellijstmodus met Navigate/OK of met de toets Mode.

UPnP

Als u gedeelde media hebt ingesteld, moet u de gedeelde media in UPnP zien.

Als u meerdere computers hebt die media delen, worden de alternatieven opgesomd.

Selecteer de gedeelde media die u wilt afspelen.

Gebruik Start/Pauze (18), Volgende/Vorige (22) en Stop (19). Druk op de rechter cursortoets (15) om informatie over de afspelende track weer te geven.

Opmerking: De radio kan alleen de tracks met een bestandsnaam van minder dan 40 tekens lezen. De karakters dienen in de Europese taal te zijn. Als in de UPnP-modus het lezen van een track fout gaat, kunt u proberen om de bestandsnaam te wijzigen. Echter, als de track nog steeds niet wil afspelen, kunt u proberen het bestand in een ander formaat om te zetten.

USB:

Vanaf dit punt worden menu's vanuit de mappen op het USB-apparaat gegenereerd. Het apparaat ondersteunt de formaten WMA/MP3/AAC/AAC+/FLAC/WAV. FLAC kan 16Bit/8K~48K samplesnelheid, 64Kbps ondersteunen.

Browse folders met het navigatiewieltje of met de navigatietoetsen (13/14/15/17) op de afstandsbediening.

Het scherm toont de map en de bestandsnamen (niet noodzakelijk namen van tracks).

Zodra u eenmaal een track hebt gevonden die u wilt afspelen, kunt u op het navigatiewieltje op het apparaat of op Enter op de afstandsbediening drukken.

Opmerking: De USB-poort ondersteunt geen gegevensoverdracht met een computer.

Mijn afspeellijst:

U kunt een afspeellijst creëren van uw favoriete muziek via UPnP. Wanneer u muziek afspeelt, kunt u OK op het apparaat of Enter op de afstandsbediening ingedrukt houden om op te slaan in "My Playlist" (Mijn afspeellijst).

Wissen van Mijn afspeellijst

Selecteer deze optie a.u.b. om de afspeellijst te wissen. Bevestig a.u.b. de vragen.

7. Mijn mediaU

Weergave en afspelen van uw eigen mediaU-stationslijst op de mediaU-server. Stel eerst uw account in. Volg de stappen hieronder om uw eigen stationslijst te activeren:

Ga naar <http://www.mediayou.net/>. Word lid van "mediaU". Meld aan op de website;

Voer het draadloze MAC-adres van de radio in op de mediaU website. Deze informatie is te vinden in Center>System information>Wireless Info (Centrum>Systeeminformatie> Informatie draadloos).

Wanneer succesvol geconfigureerd, kunt u uw eigen mediaU stationslijst(en) opslaan en bekijken. Er zijn geen gebruikersnaam en wachtwoord vereist om de radio te openen.

Als u meerdere accounts hebt opgeslagen in Radio, dan kunt u het momenteel gebruikte account selecteren in het menu "Configuration" (Configuratie). U kunt op de website stations opslaan in "Favorite Station" (Favoriete station), Favorite Location/Genre (Favoriete locatie/genre) en My Local City (Mijn lokale stad) instellen of stations handmatig toevoegen. De stations kunnen worden bekeken via de modus "My Media" (Mijn media) op de radio.

8. Informatiecentrum

Het weer

Er zijn weersinformatie en -prognoses voor 2000 steden.

Selecteer de optie 'Set location' (Lokatie instellen) en kies uw lokatie, druk op 'Enter' en selecteer 'Country' (land). U kunt nu een stad selecteren.

Het apparaat kan de weersinformatie weergeven wanneer op stand-by geschakeld. Open hiertoe de weersoptie in het instellingsmenu en selecteer 'Show on Standby' (Weergeven op stand-by).

Financiële informatie

De koersindex bekijken

Systeeminformatie

Details van apparaten en van het verbonden netwerk bekijken. De informatie omvat het MAC-adres dat u dient in te vullen bij de registratie van het my mediaU-lidmaatschap.

9. CONFIGURATIE

Tijdweergave	Analoog/digitaal
Mijn MediaU	Wanneer het is ingeschakeld, dan zal My MediaU (Mijn MediaU) in het hoofdmenu staan. Als meerdere MediaU accounts bestaan in de radio, selecteer dan hier het standaard aanmeldaccount.
Netwerk	<p>Draadloze netwerkconfiguratie: In-/uitschakelen wifi-netwerk. Wanneer u het WiFi-netwerk inschakelt, dan zal het systeem automatisch het vereiste toegangspunt selecteren. Voer de WEP- of WPA-code in om met wifi te verbinden.</p> <p>Draadloos netwerk (WPS PBC): Als u gebruik maakt van een router met een WPS/QSS-knop, kunt u de netwerkverbinding eenvoudig instellen via de WPS-functie. Stel het in door binnen 120 seconden op de WPS-knop te drukken. De verbinding tussen de router en Music Link zal vervolgens automatisch worden geconfigureerd.</p> <p>Handmatige configuratie: U kunt kiezen voor DHCP (die automatisch een IP toewijst) of voor het handmatig invoeren van een IP-adres voor de draadloze netwerkverbinding. Wanneer u de handmatige instelling voor de bekabelde verbinding selecteert, dient u het volgende in te voeren: SSID (naam van toegangspunt), IP-adres, subnetmasker, standaard gateway, voorkeur DNS-server en alternatieve DNS-server.</p> <p>Controleer netwerk bij het inschakelen: In-/uitschakelen wifi-netwerk. Wanneer u het wifi-netwerk inschakelt, zal het systeem automatisch naar de beschikbare AP zoeken. Selecteer uw gewenste AP.</p>
Datum & Tijd	<p>Datum en tijd instellen</p> <p>Stel de tijdweergave in per 12 Hour (12 uur) of 24 Hour (24 uur)</p> <p>Stel het datumformaat in (JJJJ/MM/DD-DD/MM/JJJJ-MM/DD/JJJJ)</p> <p>Daylight SavingTime (DST/Zomertijd)</p> <ul style="list-style-type: none">o AAN <p>Tips: Wanneer u "ON" (Aan) selecteert, zal de tijd één uur vooruit lopen op de actuele tijd.</p> <ul style="list-style-type: none">o UIT <p>Tips: Wanneer u "OFF" (Uit) selecteert, zal de tijd gelijk zijn aan de actuele tijd. Als u voor de "Daylight Saving Time(DST)" (Zomertijd) "OFF" (Uit) hebt gekozen, zal de tijd met één uur terug worden gezet, d.w.z. de zal gelijk zijn aan de actuele tijd.</p>

Alarm	<p>U kunt 3 onafhankelijke Alarmen instellen. Twee verschillende Alarmen (Alarm 1, Alarm 2) en één NAP alarm (DUTJE-alarm), wat een alarm met aftelling is en kan worden gebruikt wanneer u eventjes kort wilt slapen.</p> <p>Druk op de Alarmtoets op de afstandsbediening om het menu met de alarminstellingen direct te openen en voer de volgende stappen uit.</p> <p>Het alarm instellen</p> <ul style="list-style-type: none"> - Druk op de toets 'Alarm' op het apparaat of op de afstandsbediening. - Selecteer Alarm 1 - Selecteer Turn On (Inschakelen) - Druk op de toets 'ok' op de afstandsbediening of druk op het navigatiewieltje op het apparaat. - Druk op 'ok' in de optie "Repeat (Herhalen):" en selecteer hoe het alarm moet werken. - (Dagelijks, eenmaal of selecteer de gewenste dagen) - Druk op de linker navigatietoets op de afstandsbediening of op het apparaat om terug te keren naar het vorige alarmmenu, selecteer vervolgens "Time (Tijd):" en druk op 'ok' - U kunt nu de omhoog-/omlaagtoetsen gebruiken om de gemarkeerde Uren te veranderen. Druk vervolgens eenmaal op de rechter navigatietoets om op de Minuten te schakelen en gebruik de omhoog-/omlaagtoetsen om de minuten te veranderen. Druk ter bevestiging op de toets 'ok'. - Selecteer de optie "Sound (Geluid):" en druk op de toets 'ok'. U kunt nu kiezen uit Beep (Pieptoon), Melody (Melodie), Internet radio (Internetradio) en USB (wanneer aangesloten) - Wanneer Internetradio is geselecteerd als het wekgeluid, dan kunt u een van uw favoriete radiostations gebruiken (die als favoriet zijn opgeslagen in de DIR-150). - Opmerking: Wanneer er binnen 1 minuut nadat het alarm is geactiveerd geen internetverbinding beschikbaar is, dan zal de DIR-150 automatisch op Melodie schakelen. - Wanneer u USB als wekgeluid selecteert, dan kunt u een van de muziekbestanden selecteren die zijn opgeslagen op het aangesloten USB-geheugenapparaat. - Herhaal de bovengenoemde stappen om alarm 2 in te stellen <p>Het DUTJE-alarm instellen</p> <ul style="list-style-type: none"> - Druk op de toets 'Alarm' op het apparaat of op de afstandsbediening. - Selecteer NAP alarm (DUTJE-alarm) - Gebruik de omhoog-/omlaagtoetsen om de gewenste minuten in te stellen. - Kies uit 5/10/20/30/60/90 of 120 minuten en druk vervolgens op de toets 'ok' om te selecteren - Druk op de linker navigatietoets om terug te keren naar het hoofdscherm. - Wanneer het DUTJE-alarm is geactiveerd, dan zult u rechtsonder in de hoek een klokicoontje zien met de resterende tijd.
Timer	Afteller (max. 100min)
Taal	English/Deutsch/Espanol/Francais/Portugese/Nederlands/Italiano/Pyccknn/Svenska/Norske/Dansk/Magyar/Cesky/Slovensky/Polski/Turkce/Suomi
Dimmer	Energiebesparing/Inschakelen
Scherm	Kleur/zwart-wit
Voedingsbeheer	Configureer om automatisch in stand-by te gaan als u in het menu bent of/en

	zonder wifi-sigitaal. Kies de tijdklok van de energie-manager (5/15/30 minuten) om de tijd van de radio in te stellen, voordat hij automatisch in stand-by modus schakelt wanneer u hem niet bedient. Kies "Turn off" (Uitschakelen) om de energie-management-functie te negeren.
Slaaptijdklok	Schakel deze optie uit of stel de slaaptimer in op 15/30/60/90/120/150/180 minuten. Nadat de tijd eenmaal is ingesteld, zal er rechtsboven in de hoek een slaapicoontje verschijnen met de resterende minuten; het apparaat zal na deze tijd op stand-by schakelen. Druk op Sleep op de afstandsbediening als sneltoets voor deze functie.
Buffer	Configureer de buffertijd van het afspelen van muziek in 2/4/8 seconden.
Het weer	De weersverwachting voor de display in stand-by activeren/deactiveren. Selecteer de gewenste temperatuureenheid (°F or °C) en voer vervolgens uw locatie in. Wanneer geactiveerd, worden de weersvoorspelling en klokweergave afwisselend op het stand-by scherm getoond (elk 10 seconden).
FM instellen	U dient Mode (Modus) of Threshold (Drempelwaarde) te kiezen
Lokale radio instellen	Er is een snelkoppeling Local Radio (Lokale radio) onder Internetradio, zodat u gemakkelijk naar de stationslijst van uw locatie kunt gaan. U kunt uw locatie Handmatig instellen of u laat het systeem uw huidige locatie Auto automatisch detecteren. Het systeem detecteert de locatie op basis van het IP-adres van uw aangesloten netwerk. Druk op "Local Station" (Lokaal station) om deze lokale radiolijst direct te openen.
Afspelen instellen	Selecteer de afspeelmodus van het mediacentrum - Uit (geen herhaling of shuffle), Alles herhalen, Eén herhalen of Shuffle.
Apparaat	De standaard apparaatnaam voor DLNA is "AirMusic". U kunt het hernoemen bij de DLNA-instelling op de pc of mobiel. QR-code voor het downloaden en installeren van de APP "AirMusic".

Equalizer	De standaard equalizer is Normaal, maar u kunt dit veranderen in Vlak, Jazz, Rock, Soundtracks, Klassiek, Pop, of Nieuws MIJN EQ. Druk op de sneltoets EQ op de afstandsbediening te wisselen tussen de EQ-mogelijkheden.
Hervatten bij inschakelen	Het systeem zal standaard het afspelen van de internetradio hervatten als u naar de internetradio of het mediacentrum luisterde wanneer u het apparaat uitschakelt. Als u deze instelling uitschakelt, zal het systeem in het hoofdmenu blijven wanneer u het apparaat inschakelt.
Software-update	Software-update. Het systeem zal u informeren wanneer er een bijgewerkte softwareversie beschikbaar is op de server. Voordat u een software-upgrade start, dient u ervoor te zorgen dat het apparaat is aangesloten op een stabiele netvoeding. Als de voeding tijdens een software-update wordt onderbroken, dan kan het apparaat permanent worden beschadigd.
Terugzetten naar standaard	Herstel de standaardinstellingen. Nadat de DIR-150 is teruggesteld, zal het systeem de taalselectie openen.

10. DLNA/UPnP

U kunt de standaard DLNA-naam naar wens aanpassen. De informatie hieronder introduceert de instellingen voor media streaming via een PC of andere mediaserver.

Controleer a.u.b. de gebruikshandleiding van de mediaserver die u gaat gebeuren. Controleer of de muziekbestanden van het correcte formaat zijn, anders kan de DIR-150 deze niet afspelen. (Compatibele formaten zijn MP3, FLAC of AAC.)

UPnP

Sluit de pc aan op het netwerk.

Zorg ervoor dat de radio is ingeschakeld en isverbonden met hetzelfde netwerk.

Open het UPnP-platform Windows Media Player (11 of hoger). Als alternatief kunnen andere platforms of servers zoals Windows Media Connection worden gebruikt.

U kunt hiermee uw media delen met de radio.

Voeg de audiobestanden en folders toe aan de mediabibliotheek die u wilt delen met de radio.

U kunt ook genieten van gestreamde muziek van andere muziek-servers, zoals een smartphone (Android platform)

Verbind de mobiele telefoon met het netwerk

Zoek en installeer apps in Google Play, die media delen.

Voeg de audiobestanden van uw mobiel die u wilt delen toe.

Na instelling van de gezamenlijk gebruikte server, selecteer de muziek en gebruik de afspelerbedieningen op de radio.

DLNA

Naast UPnP, ondersteunt de radio ook de DLNA-functie waarmee u de muziekbestanden vanuit een pc of mobiele Android telefoon kunt delen. U kunt ook uw pc, mobiele Android telefoon of iPhone/iPad gebruiken om het afspelen van muziek te regelen op de radio. (het is niet nodig elke afspelerbediening op de radio te regelen.)

De eisen voor de pc voor DLNA zijn Windows 7 en Windows Media Player 12. Stel het in, zoals hieronder beschreven: Deel eerst de media op uw pc met de radio.

Control Panel (controlepaneel) > Network and Internet (netwerk en internet) > Network and Sharing Center (netwerk en deelcentrum) > Change advanced sharing settings (Geavanceerde deelininstellingen wijzigen) > Media streaming options (opties mediastreaming)

Open Windows Media Player om Allow remote control of my Player (Sta afstandsbediening vanaf mijn speler toe) in te schakelen.

Rechtsklik op het gewenste muziekbestand in de bibliotheek en selecteer "Play to Radio" (Afspelen op radio).

Er zal een venster verschijnen om het afspelen van de muziek op de radio te regelen.

U kunt elke gratis of commerciële DLNA-app van Google Play of de Apple Store zoeken en installeren als u gebruik maakt van Android mobiel, tablet of iPhone/iPad. Wij raden u aan bubble UPnP, Twonky Beam op een Android telefoon of tablet te gebruiken en Twonky Beam op een iPhone/iPad. Sommige apps geven geen ondersteuning voor het streamen van muziek vanaf de iPhone/iPod, maar de iPhone/iPod kan nog wel worden gebruikt voor de bediening van het streamen van muziek vanaf andere servers.

Procedures voor het afspelen van gedeelde muziek op de app zijn:

Selecteer de radio als de speler. Sommige apps staan toe dat de muziek op meerdere spelers tegelijk wordt afgespeeld.

Selecteer de (music server) muziek-server en kies de muziek. Sommige apps kunnen een afspeellijst maken als u voor meerdere muziektracks kiest.

Opmerking: Wanneer u de DLNA muziek streaming functie gebruikt op de internetradio, dan kunt u alleen het volume en stand-by regelen via het apparaat. De bediening van andere functies is beperkt. Stop DLNA op de pc, mobiele telefoon of tablet voordat u de eigen bediening van de internetradio hervat.

11. AUX (Lijningang)

In de Aux in-modus speelt de radio audio van een externe bron af, zoals een MP3-speler. Om audio af te spelen in de Aux-in-modus:

Stel het volume laag in op zowel de radio als de audiobron, indien instelbaar.

Sluit de externe audiobron aan op de Aux in 3,5 mm stereo-aansluiting.

Druk op MODE totdat AUX IN op het scherm verschijnt of selecteer AUX in het hoofdmenu.

Pas het volume van de radio naar wens aan (en eventueel van de audiobron).

12. FM-bediening

Druk met de radio ingeschakeld op de toets Mode om de FM-modus te selecteren of druk op de toets ◀ / ▶ om de FM-modus in het menu te selecteren.

Druk op de toets ◀ / ▶ om op specifieke frequenties af te stemmen in stappen van 0,05MHz.

De radio heeft ook een scanfunctie voor FM, waardoor u automatisch naar FM stations kunt zoeken.

Houd de toets ▶ ingedrukt om automatisch te zoeken naar het volgende beschikbare radiostation. Wanneer een station met een goed signaal is gevonden, dan wordt deze automatisch afgespeeld.

U kunt naar stations in de tegenovergestelde richting zoeken, door de ◀ toets ingedrukt te houden.

Druk op de draaiknop Navigate/OK om automatisch een volledige scan uit te voeren en 20 stations (maximaal) op te slaan.

Stations als voorkeuzes opslaan

De radio kan in FM-modus 20 stations opslaan in het geheugen. Om een voorkeuze op te slaan:

Stem af op het gewenste station, houd de toets Fav ingedrukt, gebruik vervolgens de toets ◀ / ▶ of draai de draaiknop Navigate/OK om het gewenste geheugennummer te selecteren en druk uiteindelijk op de draaiknop Vol/Nav/Ok om het station op te slaan.

Voorkeuzestations afspelen

Om een voorkeuzestation af te spelen:

Selecteer de band FM van het station door op de toets Mode te drukken of druk op de toets ◀ / ▶ om de FM-modus in het menu te selecteren.

Druk op de toets Fav om het voorkeuzestation te herroepen, gebruik vervolgens de toets ◀ / ▶ of draai de draaiknop Navigate/OK om de opgeslagen stations te doorlopen en druk ter bevestiging op de draaiknop Navigate/OK.

13. Bluetooth

Druk met de radio ingeschakeld op de toets Mode om de Bluetooth-modus te selecteren of druk op de toets ◀ / ▶ om de Bluetooth-modus in het menu te selecteren.

Schakel de Bluetooth-functie in op uw apparaat, selecteer de paringnaam "DIR-150 BT" en klik op deze optie om te paren; het woord "connected" (verbonden) zal klinken wanneer de Bluetooth-verbinding tot stand is gebracht.

U kunt op ◀ of ▶ drukken om naar de vorige of volgende track te gaan.

U kunt op de navigatieknop drukken om de muziek af te spelen of te pauzeren.

U kunt de knop rechtsom draaien om het volume te verhogen of linksom draaien om het volume te verlagen.

U kunt de navigatieknop ingedrukt houden om de bestaande paring te verbreken en een nieuw apparaat te paren.

14. Technische specificaties

Network (Netwerk)	802.11b/g/n (WLAN) encryptie: WEP, WPA, WPA 2(PSK), WPS
Streaming	UPnP, DLNA
Ondersteunde bestandstypes	MP3, FLAC, AAC
Aansluitingen	DC, USB (laden 5V 0,5A), 3,5mm AUX-ingang, 3,5mm Lijuitgang
Ingang	100-240VAC – 50/60Hz
Uitgang	9V/2A
Output vermogen	2 x 8W RMS
Batterijen in de afstandsbediening	CR2025 knoopbatterij
Energieverbruik	Max. 20W
Stroomverbruik (in stand-by)	< 1 W
Netwerk stand-by stroom verbruik	< 2 W
Bedrijfstemperatuur	0°C-35°C
Werkingspositie	Horizontaal
Voedingsadapter: (Alleen voor EU)	
Fabrikant: Dongguan Yingna Electronic Technology Co., Ltd	
Modelnummer: YN-24WA090200EU	
Gebruik alleen de originele wisselstroomadapter	
Gebruik uitsluitend het voedingsapparaat dat in de gebruiksaanwijzingen staat vermeld.	
Afmetingen	310 x 114,9 x 116 mm (BxDxH)
Gewicht	1645g

15. Garantie

Lenco biedt service en garantie aan overeenkomstig met de Europese wetgeving. Dit houdt in dat u, in het geval van reparaties (zowel tijdens als na de garantieperiode), uw lokale handelaar moet contacteren.

Belangrijke opmerking: Het is niet mogelijk om producten die moeten worden gerepareerd rechtstreeks naar Lenco te sturen. Belangrijke opmerking: De garantie verloopt als een onofficieel servicecenter het apparaat op wat voor manier dan ook heeft geopend, of er toegang toe heeft gekregen. Het apparaat is niet geschikt voor professioneel gebruik. In het geval van professioneel gebruik worden alle garantieverplichtingen van de fabrikant nietig verklaard.

16. Disclaimer

Er worden regelmatig updates in de firmware en/of hardwarecomponenten gemaakt. Daardoor kunnen gedeelten van de instructie, de specificaties en afbeeldingen in deze documentatie enigszins verschillen van uw eigen situatie. Alle onderwerpen die staan beschreven in deze handleiding zijn bedoeld als illustratie en zijn niet van toepassing op specifieke situaties. Aan de beschrijving in dit document kunnen geen rechten worden ontleend.

17. Afvoer van het oude apparaat



Dit symbool geeft aan dat het betreffende elektrische product of de accu/batterij niet mag worden verwijderd als algemeen huishoudelijk afval in Europa. Zorg voor een juiste afvalverwerking door het product en de accu/batterij in overeenstemming met alle van toepassing zijnde lokale wetten voor het verwijderen van elektrische apparatuur of accu's/batterijen te verwijderen. Als u dit doet, helpt u de natuurlijke hulpbronnen te behouden en de standaard van milieubescherming te verbeteren bij de behandeling en verwijdering van elektrisch afval (Afgedankte Elektrische en Elektronische Apparatuur).

18. Service

Bezoek voor meer informatie en helpdeskondersteuning www.lenco.com

Lenco Benelux BV, Thermiekstraat1a, 6361 HB, Nuth, Nederland.

ACHTUNG:

Die zweckentfremdete Bedienung, Benutzung oder Einstellung der Prozeduren kann zu gefährlichen Unfällen durch Strahlen führen.

Dieses Gerät darf außer von qualifizierten Fachleuten von niemand anderem repariert oder eingestellt werden.

VORSICHTSMASSNAHMEN VOR DER BENUTZUNG**BEFOLGEN SIE IMMER FOLGENDE ANWEISUNGEN:**

1. Benutzen Sie das Gerät nicht in der Nähe von Wasser.
2. Benutzen Sie zur Reinigung ein nur leicht befeuchtetes Tuch.
3. Blockieren Sie keine Lüftungsöffnungen. Wenn Sie das Gerät auf ein Regal stellen, lassen Sie um das gesamte Gerät 5 cm (2") freien Platz.
4. Stellen Sie das Gerät entsprechend den Anweisungen der mitgelieferten Bedienungsanleitung auf.
5. Treten Sie nicht auf das Netzteil und klemmen Sie es auch nicht ein. Seien Sie im näheren Bereich des Steckers und der Herausführungen des Kabels besonders vorsichtig. Stellen Sie keine schweren Gegenstände auf das Netzteil, weil es dadurch beschädigt werden könnte. Halten Sie das gesamte Gerät außerhalb der Reichweite von Kindern! Durch Spielen mit dem Netzkabel können sie sich ernsthafte Verletzungen zuziehen.
6. Trennen Sie das Gerät während eines Gewitters oder bei längerer Nichtbenutzung vom Netz.
7. Halten Sie das Gerät von Hitzequellen wie Radiatoren, Heizern, Öfen, Kerzen oder anderen hitzeerzeugenden Gegenständen fern.
8. Meiden Sie bei der Nutzung des Produkts die Nähe starker Magnetfelder.
9. Elektrostatische Entladungen können die normale Verwendung von diesem Gerät stören. Sollte dies geschehen, führen Sie einfach einen Reset aus und starten Sie dann das Gerät entsprechend den Anweisungen dieser Bedienungsanleitung neu. Gehen Sie besonders bei Datenübertragungen mit dem Gerät vorsichtig um und führen Sie diese nur in einer antielektrostatischen Umgebung aus.
10. Warnung! Niemals Gegenstände durch die Lüftungsschlitze oder Öffnungen in das Gerät stecken. Im Gerät sind hohe Spannungen vorhanden und das Einführen von Gegenständen kann zu Stromschlag bzw. zu Kurzschlüssen der internen Teile führen. Aus dem gleichen Grund kein Wasser oder Flüssigkeiten in das Gerät geben.
11. Benutzen Sie das Gerät nicht in nasser oder feuchter Umgebung wie Bad, Dampfküche oder in der Nähe von Schwimmbecken.
12. Benutzen Sie das Gerät nicht bei Kondensationsgefahr.
13. Obwohl dieses Gerät unter größter Sorgfalt und vor Auslieferung mehrmals überprüft wurde, können trotzdem wie bei jedem anderen elektrischen Gerät auch Probleme auftauchen. Trennen Sie das Gerät im Falle einer Rauchentwicklung, starker Hitzeentwicklung oder jeden anderen unnatürlichen Erscheinung sofort vom Netz.
14. Das Gerät muss immer gut belüftet sein!
15. Dieses Gerät ist durch eine Stromquelle wie auf dem Typenschild angegeben zu betreiben. Halten Sie bei Unsicherheiten über die Art Ihrer Stromversorgung in Ihrer Wohnung Rücksprache mit Ihrem Händler oder Ihrer Stromzuliefererfirma.
16. Die Wandsteckdose muss sich in der Nähe des Geräts befinden und einfach zu erreichen sein.
17. Steckdosen und Verlängerungsleitungen nicht überlasten. Eine Überlastung kann zu Brandgefahr bzw. Stromschlägen führen.
18. Geräte der Schutzklasse 1 sind an eine Netzsteckdose mit Schutzleiter anzuschließen.
19. Geräte der Schutzklasse 2 benötigen keinen Schutzleiteranschluss.
20. Halten Sie Nagetiere vom Gerät fern. Nagetiere lieben es, am Netzkabel zu nagen.
21. Halten Sie den Netzstecker in der Hand, wenn Sie ihn aus der Netzsteckdose ziehen. Ziehen Sie ihn nicht durch Zerren am Kabel heraus. Das kann zu einem Kurzschluss führen.
22. Vermeiden Sie es, das Gerät auf Oberflächen aufzustellen, die zu Schwingungen oder Stoß neigen.
23. Trennen Sie bei Gewitter den Netzadapter vom Stromnetz, um das Gerät zu schützen.
24. Wenn das Gerät für längere Zeit nicht verwendet wird, sollte die Stromversorgung aus Sicherheitsgründen unterbrochen werden.
25. Benutzen Sie zur Reinigung ein nur leicht befeuchtetes Tuch. Benutzen Sie niemals Lösungsmittel oder Flüssigkeiten auf Ölbasis. Benutzen Sie zum Entfernen hartnäckiger Flecken ein feuchtes Tuch mit mildem Reinigungsmittel.
26. Der Hersteller haftet nicht für Schäden oder Verluste durch Fehlfunktion, Zweckentfremdung oder Modifikation des Geräts oder durch Wechseln der Batterien.
27. Unterbrechen Sie die Verbindung nicht während einer Formatierung oder einer Datenübertragung. Bei Unterbrechung drohen Datenverlust und Datenbeschädigung.
28. USB-Sticks sind direkt mit dem Gerät zu verbinden. Verwenden Sie kein USB-Verlängerungskabel, weil die erhöhte Störungsanfälligkeit zu Datenverlust führen könnte.

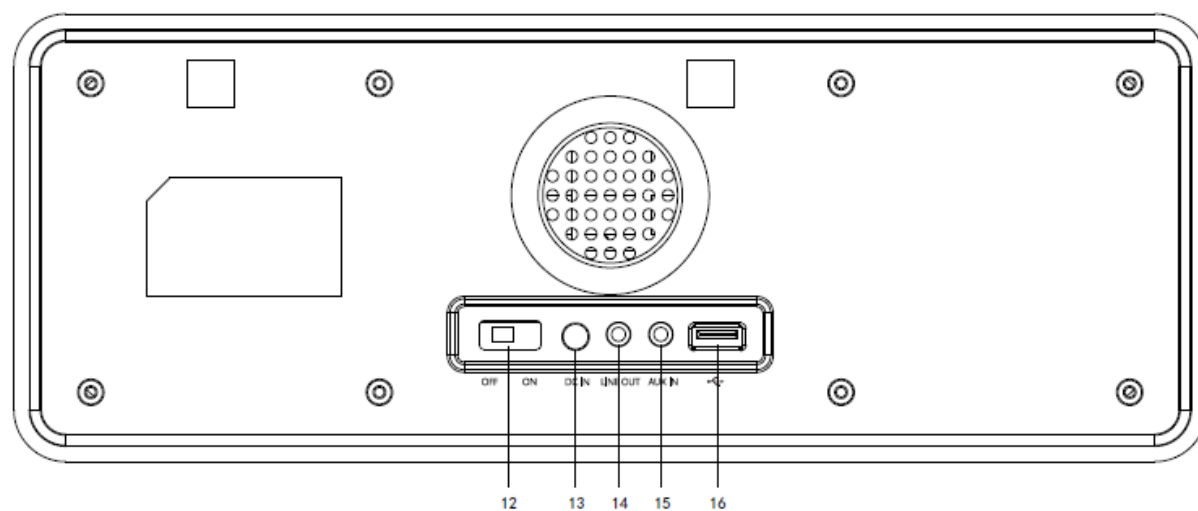
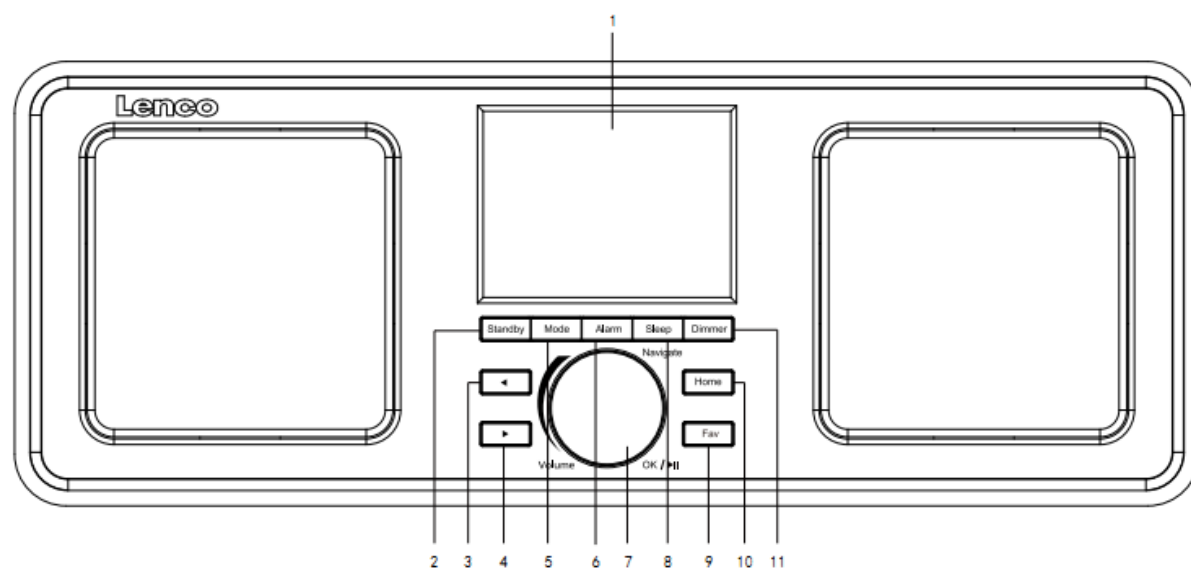
29. Das Gerät darf weder Tropf- noch Spritzwasser ausgesetzt werden und es dürfen keine mit Flüssigkeit gefüllten Behälter wie z.B. Vasen auf das Gerät oder in der Nähe des Gerätes gestellt werden.
30. Um das Gerät vollständig vom Netz zu trennen, muss der Netzstecker des Gerätes vom Stromnetz getrennt werden, wobei die zu trennende Einheit den Netzstecker des Gerätes bezeichnet.
31. Der Netzstecker darf nicht blockiert werden und muss während des bestimmungsgemäßen Gebrauchs immer leicht erreichbar sein.
32. Die Batterie darf keiner extremen Hitze wie z.B. Sonnenschein, Feuer o.ä. ausgesetzt werden.
33. Für eine ausreichende Kühlung des Geräts ist um dieses herum mindestens ein Freiraum von 10 cm zu lassen.
34. Die Ventilation darf nicht durch Abdecken der Ventilationsöffnungen durch Gegenstände wie Zeitungen, Tischdecken, Gardinen o.ä. behindert werden.
35. Stellen Sie kein offenes Feuer wie z.B. angezündete Kerzen auf das Gerät.
36. Bei der Batterieentsorgung sind die Entsorgungsvorschriften einzuhalten.
37. Das Gerät kann nur bei moderaten Temperaturen verwendet werden. Eine Nutzung in extrem kalten oder heißen Umgebungen sollte vermieden werden.
38. Das Typenschild befindet sich an der Unterseite des Geräts.
39. Dieses Gerät ist nicht zur Benutzung durch Personen (auch Kinder) mit physischen, sensorischen oder mentalen Beeinträchtigungen oder ohne ausreichender Erfahrung vorgesehen, es sei denn, sie werden durch eine verantwortliche Person beaufsichtigt oder wurden in die ordnungsgemäße Bedienung des Gerätes durch eine für ihre Sicherheit verantwortlichen Person eingewiesen.
40. Dieses Produkt ist nur für den Hausgebrauch und nicht für gewerbliche oder industrielle Zwecke bestimmt.
41. Stellen Sie sicher, dass das Gerät in einer stabilen Position aufgestellt ist. Schäden, die durch Verwendung dieses Produkts in einer instabilen Position oder durch Nichtbeachtung der anderen in diesem Handbuch enthaltener Warnungen und Vorwarnung entstehen, werden nicht durch die Garantie abgedeckt.
42. Entfernen Sie niemals das Gehäuse dieses Geräts.
43. Stellen Sie dieses Gerät niemals auf andere elektrische Geräte.
44. Verwenden oder bewahren Sie dieses Produkt nicht an Orten auf, in denen es direkter Sonneneinstrahlung, Hitze, übermäßigem Staub oder Vibration ausgesetzt ist.
45. Reinigen Sie dieses Produkt nicht mit Wasser oder anderen Flüssigkeiten.
46. Blockieren Sie nicht die Schlitze und Öffnungen in dieses Produkts.
47. Schieben Sie keine Fremdkörper in die Schlitze und Öffnungen in dieses Produkts.
48. Ermöglichen Sie Kindern nicht den Zugriff auf Plastiktüten.
49. Vergewissern Sie sich, dass die Spannungsangaben auf dem Typenschild des Geräts mit der Spannungsversorgung in Ihrem Haushalt übereinstimmen (Das Typenschild befindet sich an der Rückseite des Geräts).
50. Verhindern Sie, dass das Netzkabel eingequetscht oder darauf getreten wird, insbesondere an den Steckern, Steckdosen und der Stelle, an der das Kabel aus dem Gerät austritt.
51. Benutzen Sie nur vom Hersteller empfohlene Erweiterungen/Zubehörteile.
52. Sprechen Sie alle Eingriffe mit qualifiziertem Fachpersonal ab. Eingriffe werden notwendig, wenn das Gerät in irgendeiner Weise beschädigt wurde, beispielsweise am Netzkabel oder am Netzstecker oder wenn Flüssigkeit in das Gerät gelangt ist bzw. Gegenstände in das Gerät gefallen sind, das Gerät Regen oder Feuchtigkeit ausgesetzt war, es heruntergefallen ist oder nicht ordnungsgemäß funktioniert.
53. Verwenden Sie weder ein beschädigtes Netzkabel noch einen beschädigten Stecker oder eine lockere Steckdose. Es besteht Brand- und Stromschlaggefahr.

Warnung: Längeres Hören lauter Töne aus einem Musikgerät kann zum zeitweiligen oder permanenten Hörverlust führen.

AUFBAU

- Packen Sie alle Teile aus und entfernen Sie danach die Schutzmaterialien.
- Schließen Sie das Gerät nicht eher an das Netz an, bevor Sie die Netzspannung überprüft haben und alle anderen notwendigen Verbindungen hergestellt sind.
- Bedecken Sie die Lüftungsschlitze nicht und vergewissern Sie sich, dass um das Gerät herum einige cm Platz für die Kühlung gelassen wurden.

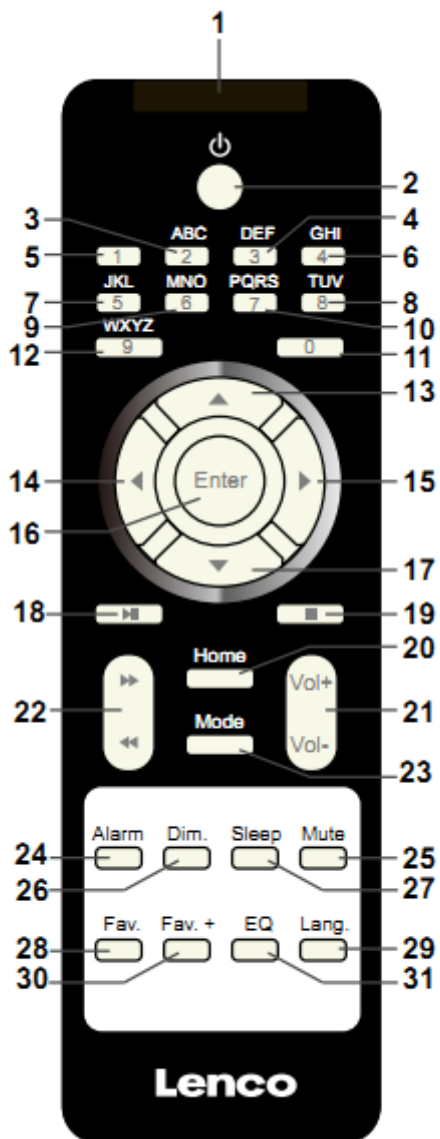
2. Produktübersicht



1. Anzeige
2. Standby
3. Nach links
4. Nach rechts
5. Modus
6. Wecker
7. Lautstärke/Navigation/Ok/Wiedergabe/Pause: Drehen=Lautstärke ändern/
Blättern Drücken=Auswahl
8. Schlaf
9. Favorit

10. Startseite
11. Helligkeitsregler
12. Ein-/Ausschalten
13. DC-IN
14. Line-Out (3,5 mm)
15. Aux-In (3,5 mm)
16. USB-Port

Fernbedienung



1. Sender Fernbedienung
2. Standby-Taste
- 3-12. Zahlen- und Buchstabeneingabe

13. Cursor-hoch-Taste
14. Cursor-links-Taste
15. Cursor-rechts-Taste
16. Enter-Taste
17. Cursor-runter-Taste
18. Wiedergabe/Pause-Taste
19. Stop-Taste
20. Startseite-Taste
21. Lautstärke +/-
22. Vorheriger/Nächster Titel
23. Modus-Auswahl Taste
24. Wecker-Einstelltaste
25. Stummschaltungs-Taste
26. Dimmer-Taste
27. Abschaltautomatik-Taste
28. Favoriten-Taste
29. Sprachauswahl Taste
30. Favoriten+ -Taste
31. EQ-Auswahl Taste

3. ERSTBENUTZUNG

Versichern Sie sich vor Inbetriebnahme des Geräts, dass die auf dem Typenschild angegebene STROMSPANNUNG mit der Stromspannung vor Ort übereinstimmt.

Verwenden Sie zum Anschluss des Geräts an eine Haussteckdose das mitgelieferte Netzteil.

Schalten Sie das Gerät mit dem On/Off-Schalter auf der Rückseite des Geräts ein.

Benutzen Sie das Gerät zum ersten Mal, wird Sie das Gerät zur Durchführung der Language (Sprach)- und Network Configurations (Netzwerkkonfiguration) auffordern. Sie können entweder die Netzwerkeinstellungen sofort vornehmen oder aber auch später. Verwenden Sie Navigate, um die gewünschte Option auszuwählen. Bestätigen Sie Ihre Auswahl durch Drücken von Navigate/OK.


Wenn Sie bei eingeschaltetem Gerät die Taste Standby drücken, wechselt das Gerät in den Standby-Modus. Ein erneutes Drücken dieser Taste schaltet das Gerät wieder ein.


4. Netzwerkkonfiguration

1. Konventionelle Netzwerkkonfiguration

Wählen Sie „Yes“ (Ja) für die konventionelle Netzwerkkonfiguration aus: Wählen Sie durch Drehen von Navigate den gewünschten AP aus und bestätigen Sie Ihre Auswahl durch Drücken von „Navigate/OK“.

Geben Sie Ihr WEP- bzw. WPA-Passwort ein, indem Sie durch Drehen der „Navigate/OK“-Taste die entsprechenden Zeichen auswählen und verbinden Sie sich anschließend mit dem WiFi-Netzwerk.

Drücken Sie die  -Taste, um das nächste Zeichen auszuwählen.

Drücken Sie an dieser Stelle die  -Taste, um den Cursor nach links zu bewegen und gleichzeitig das linksstehende Zeichen zu löschen:

Drücken Sie zur Bestätigung die „Navigate/OK“-Taste, wenn Sie das Passwort vollständig eingegeben haben.

Hinweis: Folgende Zeichen können bei diesem Radio verwendet werden:

Zahlen (von 0 bis 9)

Englische Buchstaben (von A bis Z bzw. von a bis z)

Weitere Zeichen (DEL, @, Leer, !, ", #, \$, %, &, *, ', + und (,))

2. WPS-PBC-Netzwerkkonfiguration

Wählen Sie „Yes WPS“ (Ja WPS), wenn Sie Ihr Netzwerk über diese Drahtlosnetzwerkfunktion (WPS PBC) konfigurieren möchten: Wenn Sie einen Router mit WPS-Taste besitzen, können Sie Ihre Netzwerkverbindung einfach mittels dieser WPS-Funktion konfigurieren. Bestätigen Sie mit Enter und drücken Sie innerhalb von 120 Sekunden die WPS-Taste Ihres Routers.

Die Verbindung zwischen Router und Radio wird in diesem Fall automatisch konfiguriert.

Wählen Sie „No“ (Nein), wenn Sie das Netzwerk jetzt nicht konfigurieren möchten.

3. Keine Netzwerkkonfiguration

Wählen Sie bitte „No“ (Nein), wenn Sie das Netzwerk jetzt nicht konfigurieren möchten.

Rufen Sie mit der Taste „Standby“ den Standby-Modus auf. Wenn das aktuelle Datum und die aktuelle Uhrzeit angezeigt werden, wurde die Netzwerkkonfiguration ordnungsgemäß abgeschlossen. Im Standby-Modus werden sowohl Datum und Uhrzeit als auch der Wecker – falls aktiviert – im Display angezeigt.

5. INTERNETRADIO

Wechseln Sie in den „Standby“-Modus und drehen Sie Navigate, um sich durch das Hauptmenü zu bewegen. Drücken Sie OK (für den Wechsel in Untermenüs oder für die Bestätigung ausgeführter Einstellungen)

Drücken Sie ◀ , um zum vorherigen Menü zurückzukehren.

Nach dem erfolgreichen Verbindungsaufbau zu einem Radiosender werden die Radiosenderinformationen angezeigt: Zwischen den angezeigten Informationsinhalten kann mit der ◀ oder ▶ -Taste gewechselt werden.

Favoritenliste

Liste meiner vorbelegten Favoritensender. Sie kann 250 Favoriteneinträge aufnehmen, einschließlich Sender und Ordner. Halten Sie während des Sender-Wiedergabebildschirms die Taste „Fav“ am Gerät oder „Fav.“ auf der Fernbedienung gedrückt, um den Sender als meinen Favoritensender zu speichern. Sie können den zuvor gespeicherten Sender mit dem neuen ersetzen.

Haben Sie den ausgewählten Radiosender bereits gespeichert, können Sie diese nicht noch einmal speichern. Die gespeicherten Radiosender werden in diesem Menü angezeigt. Sie können aber auch Fav drücken, um auf die Liste gespeicherter Radiosender zuzugreifen. Sie können die gespeicherten Sender auch über die Zifferntasten der Fernbedienung aufrufen.

Bewegen Sie sich nun in der Liste gespeicherter Radiosender zum gewünschten Radiosender und drücken Sie zur Bestätigung entweder OK am Gerät oder Enter auf der Fernbedienung, um diesen Radiosender wiederzugeben.

Wechseln Sie mit der ▶ -Taste in das Untermenü des Radiosenders, bewegen Sie sich in der Liste auf- und abwärts, benennen Sie ihn um, geben Sie ihn wieder oder verwenden Sie ihn als Wecksound (falls Sie Internet als Wecksound bei den Weckeinstellungen ausgewählt haben).

Radiosender/Musik

Die Sender sind in „Global Top 20“, „Genre“ und „Country/Location“ (Africa, Asia, Europe, Middle East, North America, Oceania/Pacific und South America)(Globale Top 20, Genre und Land/Ort (Afrika, Asien, Europa, Naher Osten, Nordamerika, Ozeanien/Pazifik und Südamerika) unterteilt. Wählen Sie eine Kategorie aus, um zu den Unterkategorien zu gelangen und wählen Sie dann die Radiosender aus, die Sie hören möchten.

Sie können jeden Radiosender durch Drücken von OK auf dem Gerät oder Enter auf der Fernbedienung direkt wiedergeben lassen.

Rufen Sie mit **▶** ihr Untermenü auf. Wenn Sie die Option „Auto-scan“ (Automatischer Suchlauf) wählen, wird jeder der Unterkategorie-Sender für 30 Sekunden angespielt, bis der letzte Sender in der Liste wiedergegeben wurde. Drücken Sie den Drehknopf am Gerät oder die Taste „Enter“ auf der Fernbedienung, um die automatische Anspielfunktion und die Wiedergabe des aktuellen Senders abubrechen.

Sie können mit der Taste **▶** die Senderinformationen anzeigen.

Lokalsender:

Die Radiosender sind unterteilt nach dem Land/dem Ort, in dem sie senden.

Verlauf:

Die Liste der zehn zuletzt gehörten Radiosender.

Service:

Search Radio Station (Radiosender suchen) – Geben Sie ein Schlüsselwort ein, nachdem der Radiosender in der Liste gesucht werden soll.

Fügen Sie durch Hinzufügen der IP-Adresse neue Radiosender hinzu. Die hinzugefügten Radiosender werden unter My Favorite (Favoriten) gespeichert.

Beachten Sie, dass der Name des Radiosenders nicht länger als 250 Zeichen lang sein darf.

6. Mediacenter

Wechseln Sie mit Navigate/OK oder der Mode-Taste entweder in den USB/UPnP-Mode (USB-/UPnP-Modus) oder den Playlist Mode (Wiedergabelistenmodus).

UPnP

Wenn Sie gemeinsame Mediennutzung eingestellt haben, sollten Sie diese über UPnP sehen können.

Haben Sie auf mehr als einem Computer Daten freigegeben, werden deren Namen aufgelistet.

Wählen Sie das zur gemeinsamen Nutzung freigegebene Medium aus, das Sie abspielen wollen.

Verwenden Sie hierfür Wiedergabe/Pause (18), Nächster/Vorheriger (22) und Stopp (19). Drücken Sie die Cursor-rechts-Taste (15), um sich die Informationen des gerade wiedergegebenen Titels anzeigen zu lassen.

Hinweis: Das Radio kann den Track nur lesen, wenn der Dateiname kürzer als 40 Zeichen ist. Die Zeichen müssen in einem europäischen Zeichensatz enthalten sein. Sollte ein Musiktitel im UPnP-Modus nicht lesbar sein, können Sie versuchen, diesen umzubenennen. Sollte der Musiktitel weiterhin unabspielbar bleiben, können Sie auch versuchen, diesen in ein anderes Format zu konvertieren.

USB:

Von diesem Punkt an werden Menüs von den Ordnern des USB-Gerätes erzeugt. Das WMA/MP3/AAC/AAC+/WMA/WAV-Format wird unterstützt. FLAC unterstützt eine Abtastrate von 16 Bit/8K - 48, 64 Kbit/s.

Durchsuchen Sie mit dem NAV-Drehknopf oder den Richtungstasten (13/14/15/17) auf der Fernbedienung die Verzeichnisse.

Auf der Anzeige erscheinen der Ordnername und die Dateinamen (nicht unbedingt die Titelnamen).

Wenn Sie einen Titel gefunden haben, den Sie wiedergeben möchten, dann drücken Sie den NAV-Drehknopf des Geräts oder Enter auf der Fernbedienung.

Hinweis: Über den USB-Port können keine Daten mit dem PC ausgetauscht werden.

Wiedergabeliste:

Sie können über UPnP eine Wiedergabeliste Ihrer Lieblingsmusik erstellen. Wenn Sie während der Musikwiedergabe OK am Gerät oder Enter auf der Fernbedienung gedrückt halten, dann wird der Titel unter My Playlist (Wiedergabeliste) gespeichert.

Wiedergabeliste löschen

Bitte wählen Sie diese Option, wenn Sie die Wiedergabeliste leeren möchten. Bestätigen Sie hierfür bitte die Fragen.

7. My mediaU

Anzeige und Wiedergabe der eigenen mediaU-Radiosenderliste auf dem mediaU-Server. Richten Sie zuerst Ihr Konto ein. Folgen Sie zum Aktivieren Ihrer eigenen Senderliste den Schritten unten:

Zugriff über <http://www.mediayou.net/>. Wählen Sie my mediaU-Mitgliedschaft aus. Webseite für das Einloggen;

Geben Sie die Drahtlos-MAC-Adresse des Radios auf der mediaU-Webseite ein. Die MAC-Adresse finden Sie unter Information Center (Informationszentrum) > System Information (Systeminformationen) > Wireless Info (WiFi-Infos);

Nach der erfolgreichen Konfiguration können Sie Ihre mediaU-Radiosender-Wiedergabeliste(n) ansehen und speichern. Für den Radiozugriff ist weder ein Benutzername noch ein Passwort erforderlich.

Haben Sie im Radio mehrere Konten gespeichert, können Sie im Configuration Menu (Konfigurationsmenü) das Konto auswählen, welches Sie verwenden möchten. Auf der Webseite können Sie Radiosender unter bevorzugte Radiosender speichern, Sie können Ihren bevorzugten Ort / Ihr bevorzugtes Genre sowie Ihren Standort festlegen oder aber auch Radiosender manuell hinzufügen. Die Radiosender können im My Media-Modus (mediaU-Modus) des Radios angezeigt werden.

8. Informationszentrum

Wetter

Es sind Wetterinformationen und Wettervorhersagen für 2000 Städte verfügbar.

Wählen Sie die Option „Set location“ (Standort einstellen) und wählen Sie Ihren Standort. Drücken Sie „Enter“ und wählen Sie „Country“ (Land). Sie können nun eine Stadt auswählen.

Das Gerät kann die Wetterinformationen im Standby-Modus anzeigen. Gehen Sie dazu zur Wetter-Option im Einstellungsmenü und wählen Sie "Show on Standby" (Im Standby-Modus anzeigen).

Wirtschaftsinfo

Anzeige des Aktienindexes

Systeminformationen

Anzeige detaillierter Infos über das Gerät und das verbundene Netzwerk. Es wird ebenfalls die MAC-Adresse angezeigt, die für die Registrierung einer My mediaU-Mitgliedschaft notwendig ist.

9. KONFIGURATION

Zeitanzeige	Analog/Digital
My mediaU	Wenn es aktiviert wurde, wird „My mediaU“ (Mein mediaU) im Hauptmenü angezeigt. Wenn im Radio verschiedene mediaU-Konten vorhanden sind, wählen Sie hier das Standard-Anmeldekonto aus.
Netzwerk	<p>Funknetzwerkkonfiguration: Aktivieren/Deaktivieren des Funknetzwerkes. Wenn Sie WLAN aktivieren, wählt das System automatisch den erforderlichen AP aus. Geben Sie das WEP- bzw. WPA-Passwort ein, um sich mit dem Funknetzwerk zu verbinden.</p> <p>Funknetzwerk (WPS-PBC): Wenn Sie einen Router mit WPS/QSS-Taste besitzen, können Sie Ihre Netzwerkverbindung einfach mittels dieser WPS-Funktion konfigurieren. Nachdem Sie diese Funktion ausgewählt haben, drücken Sie innerhalb 120 s die WPS/QSS-Taste Ihres Routers. Daraufhin wird die Verbindung zwischen Router und Music Link automatisch konfiguriert.</p> <p>Manuelle Konfiguration: Sie können zwischen DHCP (automatische IP-Adresszuweisung) oder manueller Eingabe der IP-Adresse für Ihr Funknetzwerk auswählen. Wenn Sie manuelle Einstellung für kabelgebundene Verbindungen auswählen, müssen folgende Daten eingegeben werden: SSID (Name des Access Points), IP-Adresse, Subnetzmaske, Standard-Gateway, bevorzugter und alternativer DNS-Server.</p> <p>Netzwerksuche beim Einschalten: Aktivieren/Deaktivieren des Funknetzwerkes. Wenn Sie WiFi Network (Funknetzwerke) aktiviert haben, dann sucht das System automatisch nach verfügbaren Funknetzwerken. Wählen Sie anschließend das gewünschte Funknetzwerk aus.</p>
Datum und Zeit	<p>Einstellen des Datums und der Zeit</p> <p>Stellen Sie die Anzeige auf 12 Hour (12 Stunden-) oder 24 Hour (24 Stunden)</p> <p>Stellen Sie das Datumsformat ein (YYYY/MM/DD – DD/MM/YYYY – MM/DD/YYYY)</p> <p>Daylight SavingTime (DST, Sommerzeitumstellung)</p> <ul style="list-style-type: none">o ON (ein) <p>Tipp: Wurde die Funktion auf „On“ (EIN) geschaltet, wird die Uhrzeit eine Stunde gegenüber der aktuellen Uhrzeit vorgestellt.</p> <ul style="list-style-type: none">o OFF (aus) <p>Tipp: Wurde die Funktion auf „OFF“ (AUS) gestellt, ist die Uhrzeit identisch mit der aktuellen Uhrzeit. Wenn Sie die Funktion „Daylight Saving Time(DST)“ (Sommerzeitumstellung) aktiviert haben und nun „OFF“ (AUS) wählen, dann wird die Uhrzeit um eine Stunde zurückgestellt. Mit anderen Worten, die Uhrzeit ist dieselbe wie die aktuelle Uhrzeit.</p>
Wecker	Es gibt 3 voneinander unabhängig einstellbare Wecker. Sie können 2 unterschiedliche Weckrufe (Alarm 1, Alarm 2 (Wecker 1, Wecker 2)) und einen Nap alarm (Kurzschlafwecker) einstellen, wobei der Kurzschlafweckruf ein Countdown-Weckruf ist, den Sie für kurze Nickerchen verwenden können.

Drücken Sie auf der Fernbedienung die Taste Alarm, um direkt zum Weckereinstellmenü zu gelangen. Folgen Sie anschließend den nachstehenden Schritten.

Einstellen des Weckers

- Drücken Sie am Gerät oder auf der Fernbedienung die Taste „Alarm“.
- Wählen Sie Alarm 1 (Wecker 1) aus
- Wählen Sie Turn On (Einschalten) aus
- Drücken Sie entweder auf der Fernbedienung die Taste „ok“ oder am Gerät das Navigationsrad.
- Drücken Sie bei der Option „Repeat (Wiederholung):“ die Taste „ok“ und wählen Sie dann den Wiederholmodus des Weckers aus.
- (Täglich, Einmal oder wählen Sie die gewünschten Tage aus)
- Drücken Sie auf der Fernbedienung oder am Gerät die nach-links-Taste, um zum vorherigen Weckermenü zurückzukehren. Wählen Sie nun „Time (Zeit):“ aus und drücken Sie anschließend die Taste „ok“
- Jetzt können Sie mit der nach-oben- und nach-unten-Taste den markierten Stundenwert ändern. Drücken Sie anschließend einmal die nach-rechts-Taste, um zur Minutenstelle zu wechseln, die Sie wiederum mit der nach-oben- und nach-unten-Taste ändern können. Drücken Sie zur Bestätigung Ihrer Änderungen die Taste „ok“.
- Wählen Sie „Sound (Klang):“ aus und drücken Sie dann die Taste „ok“. Hier können Sie zwischen Beep (Piepston), Melody (Melodie), Internet radio (Internetradio) und USB (falls verbunden) auswählen

Wenn Sie als Weckklang Internetradio ausgewählt haben, dann können Sie einen Ihrer bevorzugten Radiosender (die auf dem DIR-150 als Favorit gespeichert sein müssen) auswählen.

Hinweis: Wenn innerhalb 1 Minute nach der Aktivierung des Weckers keine Internetverbindung aufgebaut werden konnte, dann schaltet das DIR-170 automatisch zu Melodie um.

Wenn Sie als Weckklang USB ausgewählt haben, dann können Sie eine der Musikdateien auswählen, die auf dem verbundenen USB-Datenträger gespeichert sind.

Wiederholen Sie die vorstehenden Schritte, um wecker 2 einzustellen

Einstellen des Kurzschlafweckers

- Drücken Sie am Gerät oder auf der Fernbedienung die Taste „Alarm“.
- Wählen Sie NAP alarm (Kurzschlafwecker) aus
- Wählen Sie mit Hilfe der nach-oben- und nach-unten-Taste die gewünschten Minuten aus.
- Ihnen stehen die Auswahlen 5/10/20/30/60/90 und 120 Minuten zur Verfügung. Bestätigen Sie Ihre Auswahl mit der Taste „ok“
- Drücken Sie die nach-links-Taste, um zum Hauptbildschirm zurückzukehren.
- Wenn Sie den Kurzschlafwecker aktiviert haben, dann erscheint in der unteren rechten Ecke ein Uhrensymbol zusammen mit der verbleibenden Zeit.

Timer	Timer, der die Zeit herunterzählt (max. 100 min)
Sprache	English/Deutsch/Espanol/Francais/Portugese/Nederlands/Italiano/ Pyccknn/Svenska/Norske/Dansk/Magyar/Cesky/Slovensky/Polski/ Turkce/Suomi (English/Deutsch/Spanisch/Französisch/Portugiesisch/ Holländisch/Italienisch/Russisch/Schwedisch/Norwegisch/Dänisch/ Ungarisch/Tschechisch/Slowakisch/Polnisch/Türkisch/Finnisch)
Helligkeitsregler	Energiesparen/Einschalten
Anzeige	Color (Farbe) / Monochrome
Energieverwaltung	Konfiguriert den automatischen Wechsel in den Standby-Modus. Stellen Sie hier die Zeitdauer (5 / 15 30Minuten) ein, nach der das Radio automatisch in den Standby-Mode wechselt, wenn Sie es nicht bedienen. Wählen Sie „Turn off“ („Ausschalten“), um die Energiesparfunktion zu deaktivieren.
Einschlafautomatik	Ausschalten oder Einstellen der Einschlafautomatik auf 15 / 30 / 60 / 90 / 120 / 150 / 180 Minuten. Wenn Sie die Einschlafautomatik aktiviert haben, erscheint in der oberen rechten Ecke ein Bettsymbol mit der Anzeige der noch verbleibenden Zeit, bis das Gerät in den Standby-Modus wechselt. Drücken Sie für die Schnellwahl dieser Funktion die Sleep-Taste Ihrer Fernbedienung.
Puffer	Stellen Sie hier die Pufferzeit (2/4/8 s) für die Musikwiedergabe ein.
Wetter	Aktiviert/Deaktiviert die Wettervorhersage für die Standby-Anzeige. Wählen Sie die gewünschte Temperatureinheit (°F oder °C) und fahren Sie dann mit der Eingabe Ihres Standorts fort. Wenn Sie die Wettervorhersage aktiviert haben, dann wechseln sich im Standby- Modus die Anzeige der Uhrzeit und die der Wettervorhersage ab (alle 10 Sekunden).
UKW-Einstellungen	Sie können „Mode“ (Modus) oder „Threshold“ (Schwellenwert) wählen
Einstellungen Lokalradio	Unter Internet-Radio ist eine Verknüpfung „Local Radio“ (Lokale Radiosender) vorhanden, sodass Sie leicht zur Senderliste Ihres Standorts wechseln können. Sie können Ihren Standort manuell einrichten oder lassen Sie das System Ihre aktuelle Position automatisch bestimmen. Das System ermittelt Ihre Position gemäß der IP-Adresse Ihres Einwahlnetzwerkes. Drücken Sie für die Direktwahl der lokalen Radiosenderliste Local Station (lokale Radiosender).

Wiedergabeeinstellungen	Wählen Sie den Wiedergabemodus Ihres Mediocenters – Off (Aus) (kein wiederholen oder Mischen), Repeat all (alles wiederholen), Repeat one (aktuellen Titel wiederholen) oder Shuffle (Mischen der Titel).
Gerät	Der Standardname für DLNA lautet „AirMusic“. Sie können ihn für die DLNA-Einrichtung auf dem PC oder mobilen Gerät umbenennen. Verwenden Sie den QR-Code zum Herunterladen und Installieren der Steuerungs-App „AirMusic“.
Equalizer	Die Standard-Equalizer-Einstellung ist „Normal“. Sie können sie auf „Flat“, „Jazz“, „Rock“, „Soundtracks“, „Classical“, „Pop“ oder „News MY EQ“ (Flach, Jazz, Rock, Tonspuren, Klassik, Pop oder Nachrichten MEIN EQ) ändern. Für das schnelle Wechseln zwischen den EQ-Einstellungen drücken Sie bitte die EQ-Taste auf Ihrer Fernbedienung.
Fortsetzen, wenn eingeschaltet	Standardmäßig stellt das Gerät die Internetradiowiedergabe automatisch wieder her, wenn Sie vor dem Ausschalten des Geräts entweder über das Internetradio oder das Mediocenter Medien wiedergegeben haben. Wenn Sie diese Funktion ausschalten, startet das Gerät im Hauptmenü, wenn Sie es wieder einschalten.
Softwareaktualisierung	Softwareupdate. Das System wird Sie informieren, wenn eine aktualisierte Softwareversion auf dem Server verfügbar ist. Schließen Sie das Gerät an eine stabile Stromversorgung an, bevor Sie mit der Softwareaktualisierung beginnen. Die Trennung vom Stromnetz kann während einer Softwareaktualisierung zur dauerhaften Beschädigung des Geräts führen.
Zurücksetzen auf Werkseinstellungen	Standardeinstellungen wiederherstellen. Nachdem das DIR-150 zurückgesetzt wurde, wechselt das System in die ausgewählte Sprache.

10. DLNA/UPnP

Sie können den Standard-DLNA-Namen in einen beliebigen Namen Ihrer Wahl ändern. Nachfolgend sehen Sie eine Anleitung, wie Sie das Streamen von Medien vom PC oder anderen Medienservern einstellen.

Schlagen Sie in der Bedienungsanleitung des verwendeten Media-Servers nach. Stellen Sie sicher, dass die Musikdateien das richtige Format haben, ansonsten kann der DIR-150 sie nicht wiedergeben. (Kompatible Formate sind MP3, WMA oder AAC).

UPnP

Verbinden Sie Ihren PC mit dem Netzwerk.

Das Radio muss eingeschaltet und mit demselben Netzwerk verbunden sein.

Öffnen Sie die UPnP-Oberfläche Ihres Windows Media Player (ab Version 11). Alternativ können Sie auch andere Plattformen oder Server als die Windows Media Connection verwendet.

Geben Sie Ihre Medien für das Streamen zum Radio frei.

Fügen Sie die Audiodateien und Verzeichnisse, die Sie mit dem Radio zusammen verwenden möchten, der Medienbibliothek hinzu.

Sie können auch Musik von anderen Musikservern wie dem Smartphone (Android-OS) streamen

Verbinden Sie Ihr Mobilgerät mit dem Netzwerk

Suchen Sie auf Google Play Mediensharing-Apps und installieren Sie eine von ihnen.

Fügen Sie die Audiodateien Ihres Mobilgerätes hinzu, welche Sie gemeinsam nutzen möchten.

Wählen Sie nach der Einstellung des Servers für das Sharing die Musik aus und steuern Sie die Wiedergabe über das Radio.

DLNA

Neben UPnP unterstützt das Radio auch die DLNA-Funktion, mit der Sie Musikdateien vom PC oder von Android-Mobilgeräten freigeben und Ihren PC, Ihr Android-Mobilgerät oder Ihr iPhone/iPad für die Steuerung der Musikwiedergabe über das Radio verwenden können. (Es ist nicht für jede Wiedergabesteuerung auf dem Radio erforderlich.)

Die Mindestanforderung für DLNA ist ein PC mit Windows 7 und Windows Media Player 12. Die Einstellungen werden nachstehend beschrieben: Geben Sie zuerst die Medien auf Ihrem PC für das Radio frei.

Control Panel (Systemsteuerung) > Network and Internet (Netzwerk und Internet) > Network and Sharing Center (Netzwerk und Freigabecenter) > Change advanced sharing settings (Erweiterte Freigabeeinstellungen ändern) > Media streaming options (Medienstreamingoptionen)

Starten Sie den Windows Media Player und aktivieren Sie Allow remote control of my Player (Die Remotekontrolle des Players erlauben).

Wählen Sie mit einem Rechtsklick die Musik in der Medienbibliothek und anschließend Play to Radio (über das Radio wiedergeben) aus.

Es erscheint ein Fenster für die Steuerung der Musikwiedergabe über das Radio.

Wenn Sie ein Android-Mobilgerät, Tablet-PC oder iPhone/iPad benutzen, können Sie freie oder kostenpflichtige DLNA-Apps auf Google Play oder Apple Store suchen und von dort aus auch installieren. Es ist empfehlenswert, auf Android-Mobilgeräten und Tablet-PCs bubble UPnP oder Twonky Beam und auf iPhone/iPad Twonky Beam zu verwenden. Möglicherweise unterstützen nicht

alle APPs das Musikstreaming vom iPhone/iPod, aber Sie können Ihr iPhone/iPod auch zur Kontrolle des Musikstreamings von anderen Servern verwenden.

Folgende Schritte sind für die Wiedergabe freigegebener Musik über eine APP notwendig:

Wählen Sie das Radio als Musikwiedergabegerät aus. Einige APPs erlauben die gleichzeitige Wiedergabe der Musik auf verschiedenen Musikwiedergabegeräten.

Wählen Sie einen Musikserver und danach die wiederzugebende Musik aus. Einige APPs unterstützen bei der Mehrfachauswahl von Musik das Anlegen einer playlist (Wiedergabeliste).

Bitte beachten Sie: Wenn Sie auf dem Internetradio die DLNA-Musikstreamingfunktion verwenden, dann können Sie über das Gerät nur die Lautstärke und das Standby kontrollieren. Die Kontrolle der anderen Funktion wird unterbunden. Bevor Sie die eigene Steuerung des Internet-Radios wieder aufnehmen, beenden Sie DLNA auf dem PC, Mobiltelefon oder Tablet.

11. AUX (Line-In)

Im AUX IN-Modus können Sie Audiodaten von einer externen Quelle wie z.B. einem MP3-Player wiedergeben lassen. Für die Audiowiedergabe im AUX IN-Modus:

Drehen Sie die Lautstärke am Radio und wenn möglich auch am Audiogerät herunter.

Verbinden Sie die externe Audioquelle mit der 3,5 mm Klinken-AUX IN-Buchse.

Drücken Sie entweder solange die MODE-Taste, bis AUX IN angezeigt wird oder wählen Sie AUX IN im Hauptmenü aus.

Stellen Sie bei Bedarf die Lautstärke des Radios (und wenn notwendig an der Audioquelle) ein.

12. UKW-Bedienung

Wählen Sie bei eingeschaltetem Radio den UKW-Modus mit der Taste Mode aus oder drücken Sie die Taste ◀ / ▶, um den UKW-Modus im Menü auszuwählen.

Stellen Sie mit der Taste ◀ / ▶ bestimmte Frequenzen in Schritten von 0,05 MHz manuell ein.

Das Radio besitzt zudem einen UKW-Sendersuchlauf, mit dem Sie automatisch alle UKW-Radiosender einstellen lassen können.

Halten Sie die Taste ▶ gedrückt, um den nächsten Radiosender automatisch zu suchen. Wenn ein Sender mit einem starken Signal gefunden wurde, wird er automatisch wiedergegeben.

Sie können auch abwärts suchen lassen, indem Sie die Taste ◀ gedrückt halten.

Drücken Sie den Drehknopf Navigate/OK. Es wird automatisch ein vollständiger Suchlauf durchgeführt und (max.) 20 Sender gespeichert.

Speichern von Radiosendern auf den Speicherplätzen

Das Radio kann im UKW-Modus bis zu 20 Sender als Voreinstellungen speichern. Um einen Speicherplatz zu belegen:

Stellen Sie den gewünschten Sender ein, halten Sie die Taste Fav gedrückt und wählen Sie dann mit der Taste ◀ / ▶ die gewünschte Voreinstellungsnummer aus oder drehen Sie den Drehknopf Navigate/OK zum Auswählen. Drücken Sie dann den Drehknopf Volume/Navigate/Ok, um den Sender zu speichern.

Wiedergabe eines Speicherplatz-Radiosenders

Um einen auf einem Speicherplatz gespeicherten Radiosender wiederzugeben:

Wählen Sie das UKW-Band des Senders, indem Sie die Taste Mode oder die Taste ◀ / ▶ drücken, um den UKW-Modus im Menü auszuwählen.

Rufen Sie mit der Taste Fav den vorbelegten Sender auf. Blättern Sie dann mit der Taste ◀ / ▶ oder mit dem Drehknopf Navigate/OK in Ihren Vorbelegungen. Drücken Sie den Drehknopf Navigate/OK zum Bestätigen.

13. Bluetooth

Wählen Sie mit der Taste Mode an Ihrem Radio den Bluetooth-Modus aus oder drücken Sie die Taste ◀ / ▶ , um den Bluetooth-Modus im Menü auszuwählen.

Schalten Sie an Ihrem Gerät Bluetooth ein, wählen Sie den Kopplungsnamen „DIR-150 BT“ aus und klicken Sie zum Koppeln auf ihn. Wenn die Bluetooth-Verbindung erfolgreich hergestellt wurde, ertönt die Sprachansage „connected“ (verbunden).

Springen Sie mit ◀ oder ▶ zum vorigen oder nächsten Titel.

Drücken Sie den Navigationsdrehknopf, um die Musikwiedergabe zu starten oder vorübergehend anzuhalten.

Drehen Sie den Knopf im Uhrzeigersinn, um die Lautstärke zu erhöhen oder gegen den Uhrzeigersinn, um die Lautstärke zu verringern.

Halten Sie den Navigationsknopf gedrückt, um die bestehende Kopplung zu trennen und sich mit einem neuen Gerät zu koppeln.

14. Technische Daten

Netzwerk	802.11b/g/n (WLAN) Verschlüsselung: WEP, WPA, WPA 2(PSK), WPS
Streaming	UPnP, DLNA
Unterstützte Dateitypen	MP3, FLAC, AAC
Anschlüsse	DC, USB (Aufladen 5 V/0,5 A), 3,5 mm AUX IN, 3,5 mm Line-Out
Eingangsspannung	100-240 VAC – 50/60 Hz
Ausgangsleistung	9 V, 2 A
Ausgangsleistung	2 x 8W RMS
Batterien der Fernbedienung	CR2025 Knopfzelle
Leistungsaufnahme	Max. 20W
Leistungsaufnahme (Standby)	< 1 W
Stromverbrauch im Netzwerk im Standby	< 2 W
Betriebstemperatur	0 °C-35 °C
Betriebslage	Horizontal
Netzteil: (Nur für EU)	
Hersteller: Dongguan Yingna Electronic Technology Co., Ltd	
Modellnummer: YN-24WA090200EU	
Verwenden Sie nur den originalen AC-Adapter	
Verwenden Sie nur die im Handbuch angegebene Netzspannung.	
Geräteabmessung	310 x 114,9 x 116 mm (L x B x H)
Gewicht	1645 g

15. Garantie

Lenco bietet Leistungen und Garantien im Einklang mit Europäischem Recht. Im Falle von Reparaturen (sowohl während als auch nach Ablauf der Garantiezeit) sollten Sie deshalb Ihren Einzelhändler kontaktieren.

Wichtiger Hinweis: Es ist nicht möglich, Geräte für Reparaturen direkt an Lenco zu schicken. Wichtiger Hinweis: Falls dieses Gerät von einem nicht autorisierten Kundendienst geöffnet oder darauf zugegriffen wird, erlischt die Garantie. Dieses Gerät ist nicht für professionelle Zwecke geeignet. Falls das Gerät für professionelle Zwecke eingesetzt wird, erlöschen alle Garantieverpflichtungen seitens des Herstellers.

16. Haftungsausschluss

Aktualisierungen der Firmware und/oder Hardware-Komponenten werden regelmäßig durchgeführt. Daher können einige der Anweisungen, Spezifikationen und Abbildungen in dieser Dokumentation von Ihrer individuellen Situation abweichen. Alle in diesem Handbuch beschriebenen Elemente dienen nur zur Illustration und treffen auf Ihre individuelle Situation möglicherweise nicht zu. Aus der in diesem Handbuch getätigten Beschreibung können keine Rechtsansprüche oder Leistungsanforderungen geltend gemacht werden.

17. Entsorgung des Altgeräts



Dieses Symbol zeigt an, dass das entsprechende Produkt oder dessen Batterie in Europa nicht mit dem normalen Hausmüll entsorgt werden darf. Um die ordnungsgemäße Abfallbehandlung des Produkts und dessen Batterie zu gewährleisten, müssen diese im Einklang mit allen anwendbaren örtlichen Vorschriften zur Entsorgung von Elektrogeräten und Batterien entsorgt werden. Dabei helfen Sie, natürliche Ressourcen zu schonen und Umweltschutzstandards zur Verwertung und Entsorgung von Altgeräten aufrecht zu halten (Waste Electrical and Electronic Equipment Directive).

18. Service

Besuchen Sie bitte für weitere Informationen und unseren Kundendienst unsere Homepage www.lenco.com

Lenco Benelux BV, Thermiekstraat1a, 6361 HB Nuth, Niederlande.

ATTENTION !

L'utilisation des commandes, les réglages ou l'exécution de procédures autres que celles spécifiées ici peuvent aboutir à des expositions à des radiations dangereuses.

Cette unité ne doit pas être réglée ou réparée par quiconque, sauf du personnel de service qualifié.

PRÉCAUTIONS D'EMPLOI**GARDEZ A L'ESPRIT CES INSTRUCTIONS:**

1. Ne nettoyez qu'avec un linge légèrement humide.
2. N'obstruez ou ne bloquez aucune voie de ventilation. Lorsque vous placez sur une étagère, laissez un espace libre de 5 cm (2 pouces) autour de l'unité.
3. Installez conformément aux instructions du présent manuel.
4. Ne pincez pas ou ne marchez pas sur l'adaptateur d'alimentation. Soyez très précautionneux, notamment près des prises et des points de sortie des câbles. Ne placez aucun objet lourd sur le cordon d'alimentation, cela pourrait l'endommager. Maintenez l'appareil hors de la portée des enfants ! S'ils jouent avec le câble d'alimentation, ils peuvent se faire des blessures graves.
5. Débranchez cet appareil lors des orages ou lorsqu'il est inutilisé pendant une longue période.
6. Tenez l'unité hors de portée des sources de chaleur telles que radiateurs, chauffages, fours, bougies, et autres appareils produisant de la chaleur.
7. Évitez d'utiliser l'appareil à proximité de forts champs magnétiques.
8. Un champ électromagnétique peut perturber l'utilisation normale de cet appareil. Dans ce cas, réinitialisez et redémarrez simplement l'appareil en suivant le manuel d'instruction. Lors du transfert de fichiers, manipulez avec précaution et faites fonctionner dans un environnement sans électricité statique.
9. Avertissement! N'insérez jamais d'objet dans le produit par les ventilations ou ouvertures. Une forte tension circule dans le produit et insérer un objet peut causer un choc électrique et/ou un court-circuit des parties internes. Pour la même raison, ne versez pas d'eau ou autre liquide dans le produit.
10. N'utilisez pas dans un endroit humide ou mouillé, tel qu'une salle de bain, une cuisine avec de la vapeur ou à proximité d'une piscine.
11. N'utilisez pas cette unité lorsque de la condensation peut se produire.
12. Cet appareil a été produit conformément à toutes les réglementations de sécurité actuellement en vigueur. Les conseils de sécurité qui suivent visent à protéger l'utilisateur contre une utilisation négligente et les dangers que cela génère.
13. Bien que cet appareil ait été fabriqué avec le plus grand soin et vérifié à plusieurs reprises avant de quitter l'usine, il est encore possible que des problèmes se produisent, comme avec tous les appareils électriques. Si vous constatez de la fumée, une production excessive de chaleur ou tout autre phénomène inattendu, veuillez débrancher la prise du secteur immédiatement.
14. Cet appareil doit être bien ventilé en permanence !
15. Cette unité doit être alimentée par une source électrique du type spécifiée sur la plaque des caractéristiques techniques sur le produit. Si vous n'êtes pas sûr du type de source d'alimentation de votre domicile, consultez votre fournisseur ou votre compagnie d'électricité locale.
16. La prise d'alimentation doit être installée à proximité de l'équipement et doit être facilement accessible.
17. Ne surchargez pas les prises secteur ou les rallonges à multiprises. La surcharge peut être une cause d'incendie ou de choc électrique.
18. Les unités avec une construction de classe 1 doivent être connectées à une prise secteur protégée par une connexion terre.
19. Les appareils avec une construction de classe 2 ne nécessitent pas de connexion avec la terre.
20. Maintenez à distance des rongeurs. Les rongeurs adorent mordre dans les cordons d'alimentation.
21. Lorsque vous débranchez la prise du secteur, tirez toujours par l'embout de la prise. Ne tirez pas le cordon d'alimentation. Cela peut causer un court-circuit.
22. Évitez de placer l'unité sur une surface qui risque d'être soumise à des vibrations ou des chocs.
23. Pour protéger l'unité lors des orages, débranchez le câble d'alimentation.
24. Lorsque l'unité n'est pas utilisée pendant une longue période, débranchez le cordon d'alimentation pour des raisons de sécurité.
25. Pour nettoyer la tablette, utilisez un linge doux sec. N'utilisez pas de solvants ou de liquides à base de pétrole. Pour les taches difficiles, vous pouvez utiliser un linge humide avec du détergent dilué.
26. Le fournisseur n'est pas responsable des dégâts ou de la perte de données résultant d'un mauvais fonctionnement, d'usage erroné, de modification de l'appareil ou du remplacement de la batterie.
27. N'interrompez pas la connexion lorsque l'appareil est en cours de formatage ou de transfert de fichiers. Autrement, les données pourraient se corrompre ou se perdre.

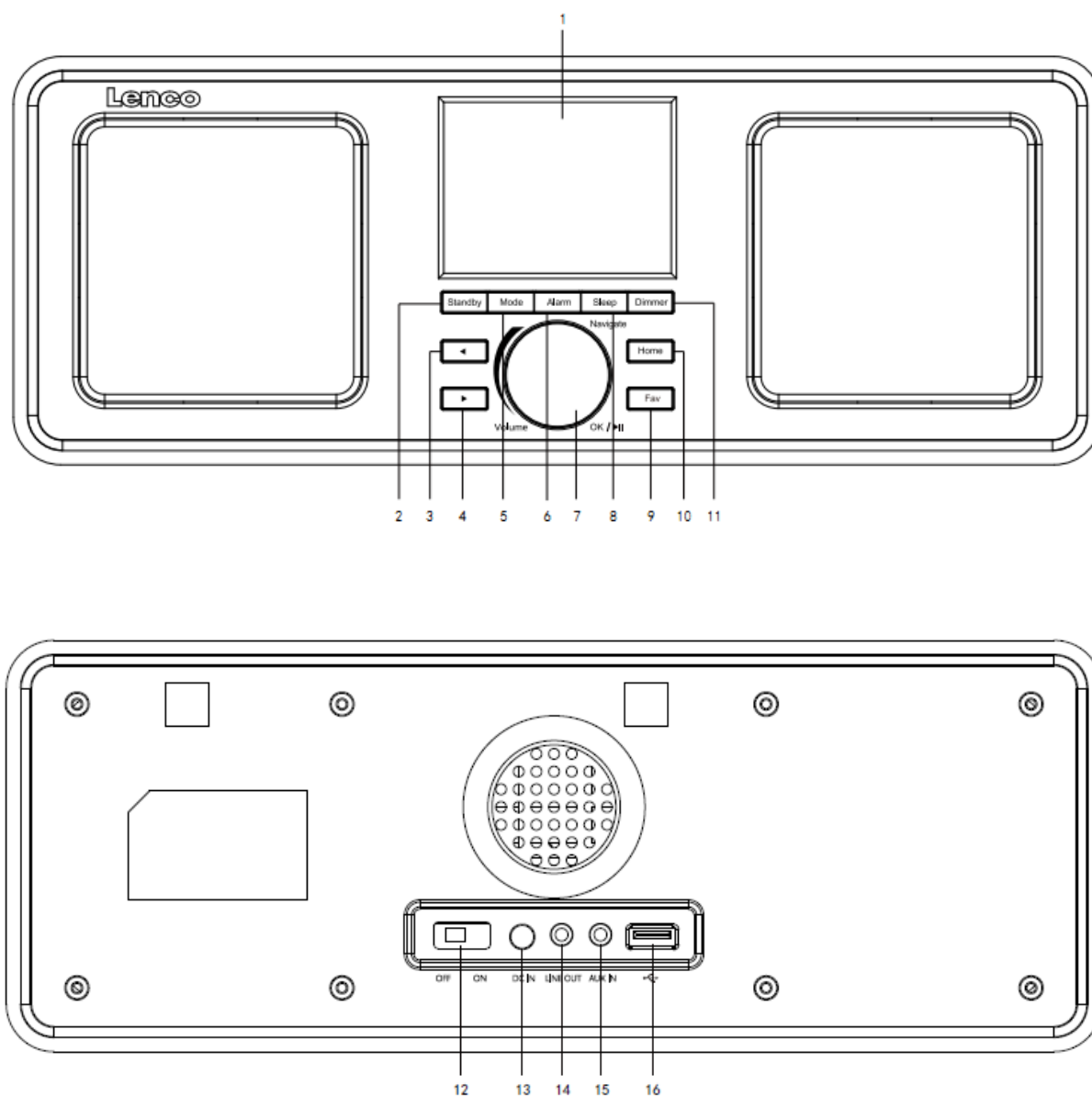
28. Cet appareil ne doit pas être exposé à l'égouttement ou aux éclaboussures. Ne jamais y poser un objet rempli de liquide tel qu'un vase.
29. Pour être parfaitement déconnectée, la prise de courant et la prise d'alimentation de l'appareil doivent être déconnectées de l'alimentation. Pour mettre hors tension l'appareil, débranchez la fiche d'alimentation de la prise secteur.
30. La fiche de l'appareil ne doit pas être obstruée ou doit être facilement accessible pendant l'utilisation.
31. Les piles ne doivent pas être exposées à une chaleur excessive telle que la lumière du soleil, des flammes, etc.
32. Il doit y avoir une distance minimale de 10 cm autour de l'appareil pour garantir une ventilation suffisante.
33. L'aération ne doit pas être bloquée en obstruant les orifices d'aération avec des objets tels que des journaux, des nappes, des rideaux, etc.
34. Ne posez pas de flamme nue, comme une bougie allumée, sur l'appareil.
35. Veuillez considérer les questions environnementales lors de la mise au rebut des piles.
36. Utilisez l'appareil uniquement en climat tempéré ; évitez environnements très froids ou très chauds
37. La plaque signalétique se situe sous l'appareil.
38. Cet appareil n'est pas conçu pour une utilisation par des personnes (y compris les enfants) à capacités physiques, sensorielles ou mentales réduites, ou manquant d'expérience et de connaissances, sauf dans le cas où une personne responsable de leur sécurité leur ont appris à utiliser de l'appareil ;
39. Ce produit est uniquement destiné à un usage domestique, non à un usage commercial ni industriel.
40. Assurez-vous que l'unité est en position stable. La garantie ne couvre aucun dégats occasionnés par l'utilisation de ce produit en position instable ou par le non-suivi de tout autre avertissement ou précaution contenu dans ce guide d'utilisation.
41. Ne retirez jamais retirer le boîtier de l'appareil.
42. Ne placez jamais l'appareil sur un autre équipement électrique.
43. N'utilisez ni ne rangez ce produit dans un lieu exposé directement à la lumière du soleil, à la chaleur, à des poussières ou vibrations excessives.
44. N'utilisez pas d'eau ou d'autres liquides pour nettoyer ce produit.
45. Ne bloquez ni ne recouvrez les fentes et trous de ce produits.
46. N'insérez pas de corps étrangers dans les fentes ni dans les trous du produit.
47. Ne laissez pas les sacs en plastique à la portée des enfants.
48. Vérifiez que la tension figurant sur la plaque signalétique de votre appareil correspond à celle de votre secteur (la plaque signalétique se situe à l'arrière de l'appareil).
49. Protégez le cordon d'alimentation (personne ne doit marcher dessus et il ne doit pas être pincé en particulier au niveau des prises), les prises de courant et le point où les prises sortent de l'appareil.
50. Utilisez uniquement les accessoires recommandés par le fabricant.
51. Confiez l'entretien et les réparations à un personnel qualifié. L'appareil doit être réparé s'il a été endommagé, notamment si le cordon d'alimentation ou la prise sont endommagés, si un liquide a été renversé ou si des objets sont tombés sur l'appareil, si l'appareil a été exposé à la pluie ou l'humidité, s'il ne fonctionne pas correctement, ou s'il est tombé.
52. N'utilisez pas un cordon ou une fiche d'alimentation endommagés ni une prise desserrée. Vous risqueriez de causer un incendie ou une décharge électrique.
53. La cle usb doit être branchée directement dans l'appareil. N'utilisez pas de câble d'extension car cela peut causer des interférences résultant sur une perte de données.

« à pleine puissance, l'écoute prolongée du baladeur peut endommager l'oreille de l'utilisateur »

INSTALLATION

- Déballez tous les composants puis retirez les éléments d'emballage.
- Ne raccordez pas l'unité au secteur avant d'avoir vérifié la compatibilité de la tension secteur.
- Ne couvrez pas les orifices de ventilation et assurez-vous qu'il y ait suffisamment d'espace autour de l'unité afin de permettre une correcte ventilation.

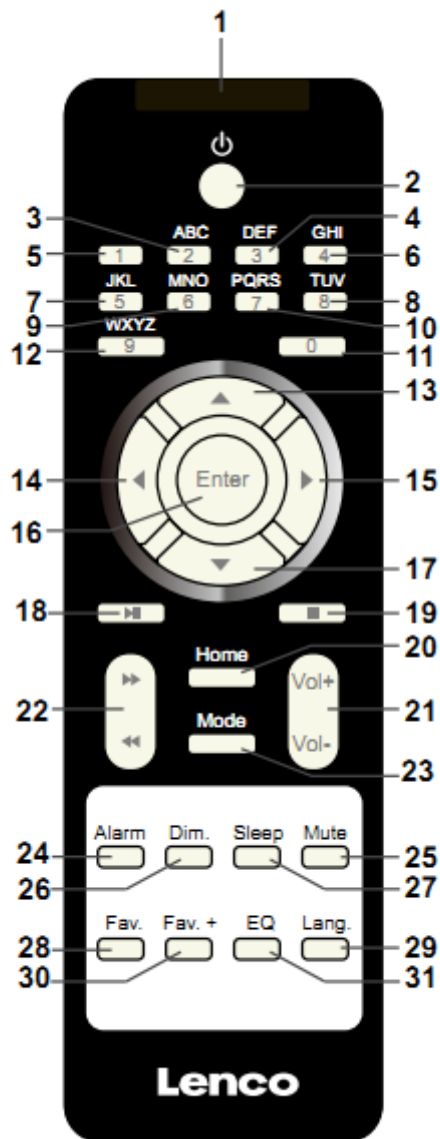
2. Présentation du produit



1. Affichage
2. Mise en veille
3. Vers la gauche
4. Vers la droite
5. Mode
6. Réveil
7. Vol/nav/OK/lecture/pause : Tourner=vol/défil. Appui=sélection
8. Veille
9. Favori
10. Accueil

11. Luminosité display
12. Marche/Arrêt
13. Entrée AC
14. Sortie de ligne (3,5 mm)
15. Entrée aux. (3,5 mm)
16. Connecteur USB

Télécommande



1. Bouton marche / Arrêt
2. Bouton veille
- 3 à 12 : Saisir des lettres et des chiffres
13. Bouton curseur haut

14. Bouton curseur gauche
15. Bouton curseur droit
16. Bouton Entrée
17. Bouton curseur bas
18. Bouton Lecture/pause
19. Bouton Arrêt
20. Bouton Accueil
21. Vol+/-
22. Aller à la piste précédente/suivante
23. Bouton de sélection de mode
24. Bouton de réglage d'alarme
25. Bouton de coupure de son
26. Bouton luminosité display
27. Bouton Veille
28. Bouton Favoris
29. Bouton de sélection de langue
30. Bouton Fav+
31. Réglage de l'égaliseur

3. PREMIÈRE UTILISATION

Avant utilisation, vérifiez que la TENSION mentionnée sur l'étiquette de l'alimentation correspond à celle de votre secteur.

Utilisez l'adaptateur d'alimentation fourni pour brancher l'appareil à une prise secteur.

Mettez en marche l'appareil grâce à l'interrupteur d'alimentation à l'arrière.

Au premier démarrage de l'appareil, le système vous demandera de régler les options Language (langue) et Network Configurations (configuration réseau). Vous pouvez configurer immédiatement la connexion réseau ou le faire par la suite. Utilisez Navigate pour choisir l'option voulue. Appuyez sur Navigate/OK pour valider.

Quand l'appareil est en marche, appuyez sur le bouton Standby pour mettre l'appareil en veille.


Rappuyez dessus pour le rallumer.


4. Configuration de réseau

1. Configuration de réseau normale

Sélectionnez « Yes » (Oui) pour la configuration de réseau sans fil normale : Ensuite, sélectionnez l'AP requise en tournant « Navigate » et validez en appuyant sur « Navigate/OK ».

Saisissez le code WEP ou WPA pour connecter le réseau WiFi en sélectionnant le bon caractère en tournant le bouton « Navigate/OK ».

Appuyez sur le bouton  pour sélectionner le caractère suivant.

Dans cette condition, appuyez sur le bouton  pour aller à gauche et supprimer les caractères à gauche en même temps :

Quand le mot de passe est terminé, appuyez sur le bouton « Navigate/OK » pour valider.

Remarque : Les caractères ci-dessous sont disponibles pour la radio :

Chiffres (de 0 à 9)

Lettres anglaises (de A à Z et de a à z)

Autres caractères (suppr, @, espace, !, ", #, \$, %, &, *, ', + et (,))

2. Configuration de réseau WPS PBC

Sélectionnez « Yes WPS » (Oui WPS) si vous voulez configurer la fonctionnalité de réseau sans fil (WPS PBC) : Si vous utilisez un routeur avec le bouton WPS, vous pouvez configurer simplement la connexion réseau grâce à la fonction WPS. Pour y accéder, appuyez sur le bouton WPS de votre routeur dans les 120 secondes.

La connexion entre le routeur et la radio se configurera ensuite automatiquement.

Sélectionnez « No » (Non) si vous ne souhaitez pas installer le réseau pour le moment.

3. Pas de configuration de réseau

Sélectionnez « No » (Non) si vous ne souhaitez pas configurer la connexion réseau pour le moment.

Appuyez sur « Standby » pour passer en mode veille. Quand la date et l'heure actuelles s'affichent, la configuration de réseau est terminée. La date et l'heure, ainsi que les alarmes (si activées) s'afficheront même en mode veille.

5. RADIO INTERNET

Sortez du mode veille et tournez Navigate pour faire défiler le menu d'accueil. Appuyez sur OK (pour accéder aux sous-menus ou confirmer les réglages)

Appuyez sur ◀ pour aller au menu précédent.

Une fois que la connexion à une station est établie, les informations sur la station s'affichent : vous pouvez changer le contenu des informations avec le bouton ◀ ou ▶ .

Mes favoris

Liste de mes stations préréglées favorites. Cela prend en charge 250 entrées favorites incluant les stations et dossiers. Sur l'écran de lecture de station, maintenez enfoncé Fav sur l'appareil ou « Fav.+ » sur la télécommande pour sauvegarder la station dans Mes favoris. Vous pouvez remplacer la station sauvegardée précédente par la nouvelle.

Si la station sélectionnée a été enregistrée, vous ne pouvez pas l'enregistrer à nouveau. Les stations enregistrées figurent dans ce menu. Vous pouvez également appuyer sur Fav pour accéder à la liste des stations sauvegardées. Vous pouvez saisir les chiffres grâce au pavé numérique de la télécommande pour charger la station sauvegardée.

Dans la liste des stations préréglées, allez à votre station, appuyez sur OK sur l'appareil ou Enter sur la télécommande pour en écouter une.

Accédez à son sous-menu grâce au bouton ▶ , vous pouvez faire défiler la liste vers le haut/bas, renommer, lire ou utiliser comme son d'alarme (si vous choisissez internet comme son d'alarme dans la configuration d'alarme).

Station radio/Musique

Les stations sont classées en Global Top 20 mondial, Genre et Pays/lieu (Afrique, Asie, Europe, Moyen-Orient, Amérique du Nord, Océanie/Pacifique et Amérique du Sud). Accédez-y pour explorer les sous-catégories et choisissez la station à écouter.

Pour chaque station, appuyez sur OK sur l'appareil ou Enter sur la télécommande pour lire directement.

Appuyez sur ▶ pour accéder à son sous-menu. Lorsque vous choisissez Recherche auto, chacune des stations de sous-catégorie seront lues pendant 30 secondes, jusqu'à ce que la dernière station dans la liste soit lue. Appuyez sur le bouton « Select » sur l'appareil ou sur « Enter » sur la télécommande pour arrêter l'écoute de recherche auto et écouter la station en cours.

Vous pouvez appuyer sur le bouton ► pour afficher les informations de la station.

Radio locale :

Les stations sont triées selon le pays/lieu où l'appareil est utilisé.

Historique :

Liste des dix stations écoutées récemment.

Service :

Recherche de stations de radio : saisissez votre mot-clé pour rechercher une station de radio dans la liste.

Ajoutez une nouvelle station de radio en ajoutant une adresse IP, les stations ajoutées seront enregistrées dans Mes favoris.

Le nom de la station ne peut pas dépasser 250 caractères.

6. Centre multimédia

Sélectionnez le mode USB/UPnP ou le mode Liste de lecture avec Navigate/OK ou avec le bouton Mode.

UPnP

Si vous avez configuré des médias partagés, vous devriez voir les médias partagés à partir de UPnP.

Si vous avez plusieurs ordinateurs partageant des médias, les alternatives sont évoquées.

Sélectionnez les médias partagés à lire.

Utilisez Lecture/Pause (18), Suivant/Précédent (22) et Arrêt (19). Appuyez sur le bouton curseur droit (15) pour afficher les informations concernant la piste en cours de lecture.

Remarque : La radio peut lire la piste seulement si son nom de fichier fait moins de 40 caractères. Les caractères doivent être en langue européenne. Si vous rencontrez des problèmes de lecture avec une piste en mode UPnP, essayez de renommer le fichier. Cependant, si la piste est toujours illisible, essayez de convertir le fichier en différents formats.

USB :

À ce niveau, les menus sont créés à partir des dossiers du dispositif USB. Prend en charge les formats WMA/MP3/AAC/AAC+/FLAC/WAV. FLAC peut prendre en charge une fréquence d'échantillonnage de 16Bit/8K~48K, 64Kbps.

Parcourez les dossiers avec la molette NAV ou les touches fléchées (13/14/15/17) de la télécommande.

L'afficheur montre les noms des dossiers et des fichiers (pas nécessairement les noms des pistes).

Une fois que vous avez trouvé une piste à lire, appuyez sur la molette Navigate sur l'appareil ou sur Enter sur la télécommande.

Remarque : Le port USB ne prend pas en charge le transfert de données avec un ordinateur.

Ma liste de lecture :

Vous pouvez créer une liste de lecture de musiques favorites par UPnP. Quand vous lisez de la musique, maintenez enfoncé OK sur l'appareil ou Enter sur la télécommande pour la sauvegarder dans Ma liste de lecture.

Supprimer ma liste de lecture

Sélectionnez cette option pour vider effacer la liste de lecture. Confirmez les questions.

7. My media U

Affiche et lit votre liste de stations mediaU sur le serveur mediaU. Configurez d'abord votre compte. Pour activer votre propre liste de stations, suivez les étapes ci-dessous :

Accédez à <http://www.mediayou.net/>. Inscrivez-vous sur mediaU. Connectez-vous sur le site Web.

Saisissez l'adresse MAC sans fil de la radio sur le site Web mediaU. Ces informations peuvent être obtenues dans Centre d'informations > Informations système > Informations réseau sans fil.

Une fois que la configuration est terminée, vous pouvez sauvegarder et consulter vos propres listes de lectures de stations mediaU. Il est inutile de saisir dans la radio le nom d'utilisateur et le mot de passe.

S'il y avait différents comptes enregistrés dans la radio, vous pouvez choisir celui que vous utilisez actuellement dans le menu Configuration. Sur le site Web, vous pouvez sauvegarder des stations dans Stations favorites, régler Emplacement favori/Genre et Ma ville locale, ou ajouter des stations manuellement. Les stations peuvent être visualisées en mode My MediaU sur la radio.

8. Centre d'informations

Météo

Il existe des informations et prévisions météorologiques pour 2 000 villes.

Sélectionnez l'option « Set location » (définir le lieu), choisissez votre lieu, appuyez sur « Enter » et choisissez « Country » (pays). Vous pouvez maintenant sélectionner une ville.

L'appareil peut afficher les informations météorologiques en mode veille. Pour ce faire, allez à l'option Weather (météo) dans le menu de réglage et sélectionnez « Show on Standby » (Afficher en veille).

Informations financières

Pour consulter les indices boursiers.

Informations système

Consultez le détail des unités et la connexion de réseau. Les informations incluent l'adresse MAC dont vous avez besoin pour vous inscrire sur my mediaU.

9. CONFIGURATION

Affichage de l'heure	Analogique/numérique
My MediaU	Quand cela est activé, My mediaU existe dans le menu d'accueil. Si plusieurs comptes mediaU existent dans la radio, sélectionnez le compte d'identification par défaut ici.
Réseau	<p>Configuration du réseau sans fil : Activez/désactivez le réseau WiFi. Si vous activez le réseau Wi-Fi, le système sélectionnera automatiquement l'AP requise. Saisissez le code WEP ou WPA pour connecter le Wi-Fi.</p> <p>Réseau sans fil (WPS PBC) : Si vous utilisez un routeur avec le bouton WPS/QSS, vous pouvez configurer simplement la connexion réseau grâce à la fonction WPS. Pour y accéder, appuyez sur le bouton WPS de votre routeur dans les 120 secondes. La connexion entre le routeur et Music Link sera ensuite configurée automatiquement.</p> <p>Configuration manuelle : Vous pouvez choisir DHCP (qui assigne l'IP automatiquement) ou saisir manuellement l'adresse IP pour une connexion de réseau sans fil. Lorsque vous sélectionnez le réglage manuel pour une connexion filaire, vous devrez introduire les informations suivantes : SSID (nom du point d'accès), adresse IP, masque de sous-réseau, passerelle par défaut, serveur DNS préféré et serveur DNS alternatif.</p>

	<p>Vérifier le réseau au démarrage : Activez/désactivez le réseau WiFi. Lorsque vous activez le réseau Wi-Fi, le système recherchera automatiquement l'AP disponible. Sélectionnez l'AP requise.</p>
Date et heure	<p>Réglage de la date et de l'heure</p> <p>Réglez le format d'affichage de l'heure sous la forme 12 Hour (12 heures) ou 24 Hour (24 heures)</p> <p>Réglez le format de date (AAAA/MM/JJ-JJ/MM/AAAA-MM/JJ/AAAA)</p> <p>Heure d'été (DST)</p> <ul style="list-style-type: none"> o ON (activé) <p>Conseils : Avec l'option « ON », l'heure sera en avance d'une heure par rapport à l'heure actuelle.</p> <ul style="list-style-type: none"> o OFF (désactivé) <p>Conseils : Avec l'option « OFF », l'heure sera identique à l'heure réelle. Si « Heure d'été (DST) » était activée et vous l'aviez réglée sur « OFF », l'heure reculerait d'une heure et donc l'heure serait identique à l'heure réelle.</p>
Réveil	<p>3 alarmes indépendantes peuvent être réglées. 2 alarmes différentes (Alarm 1, Alarm 2 (Alarme 1, Alarme 2)) et une NAP alarm (Alarme de sieste) qui est une alarme de compte à rebours qui peut être utilisée lors d'une courte sieste.</p> <p>Appuyez sur la touche Alarm de la télécommande pour accéder directement au menu des paramètres d'alarme et suivez les étapes suivantes.</p> <p>Réglage de l'alarme</p> <ul style="list-style-type: none"> - Appuyez sur la touche « Alarm » de l'appareil ou de la télécommande. - Sélectionnez Alarm 1 (Alarme 1) - Sélectionnez Turn On (Activer) - Appuyez sur la touche « ok » de la télécommande ou sur la molette de navigation de l'appareil. - Appuyez sur « ok » sur l'option « Repeat (Répéter) : » puis sélectionnez le mode de fonctionnement de l'alarme. <p>(Tous les jours, une fois ou les jours requis que vous sélectionnez)</p> <ul style="list-style-type: none"> - Appuyez sur la touche fléchée gauche de la télécommande ou de l'appareil pour revenir au menu des alarmes précédent, puis sélectionnez « Time (Heure) : » et appuyez sur « ok » - Vous pouvez désormais utiliser les touches haut en bas pour modifier les heures en surbrillance, puis appuyer une fois sur la touche de la flèche droite pour passer aux minutes et utiliser les touches haut/bas pour modifier les minutes. Appuyez sur la touche « ok » pour confirmer. - Sélectionnez « Sound (Son) : » puis appuyez sur la touche « ok ». Vous pouvez à présent choisir entre la Beep (bip), Melody (Mélodie), Internet Radio (Radio internet) et une clé USB (si insérée) <p>Lorsque la radio Internet est sélectionnée comme son de réveil, vous pouvez utiliser l'une de vos stations de radio préférées (qui doivent être mémorisées comme favoris sur le DIR-150).</p> <p>Remarque : Si aucune connexion Internet n'est disponible dans la minute qui suit l'activation de l'alarme, le DIR-150 passe automatiquement à la mélodie.</p> <p>Lorsque vous sélectionnez une clé USB comme source de son de réveil, vous pouvez sélectionner l'un des fichiers de musique stockés sur la clé USB insérée.</p> <p>Répétez les étapes ci-dessus pour configurer alarme 2</p>

Réglage de l'alarme de sieste

- Appuyez sur la touche « Alarm » de l'appareil ou de la télécommande.
- Sélectionnez NAP alarm (Alarme de sieste)
- Utilisez les touches haut/bas pour régler les minutes souhaitées.
- Vous pouvez choisir 5/10/20/30/60/90 ou 120 minutes, avant d'appuyer sur la touche « ok » pour confirmer la sélection
- Appuyez sur la touche flèche gauche pour revenir à l'écran principal.
- Lorsque l'alarme de sieste est activée, une icône représentant une horloge apparaît dans le coin inférieur droit et indique le temps restant.

Minuteur langue	Compte à rebours (max. 100 min) English/Deutsch/Espanol/Francais/Portugese/Nederlands/Italiano/Pyccknn/Svenska/Norske/Dansk/Magyar/Cesky/Slovensky/Polски/Turkce/Suomi
Gradateur de lumière	Économie d'énergie/Activation
Affichage	Couleur/monochrome
Gestion d'énergie	Configurez la mise en veille automatique pendant l'affichage du menu et/ou en l'absence de signal Wi-Fi. Choisissez le minuteur de gestion d'alimentation (5/15/30min) pour régler le délai de mise en veille automatique de la radio lorsque vous ne la commandez pas. Choisissez « Turn off » (désactiver) pour ignorer la fonction de gestion d'alimentation.
Minuteur de mise en veille	Pour désactiver ou régler le minuteur de mise en veille sur 15/30/60/90/120/150/180 minutes. Une fois que l'heure est réglée, il y aura une icône de lit avec les minutes restantes en haut à droite et l'appareil passera en mode veille ensuite. Appuyez sur Sleep sur la télécommande pour le raccourci de cette fonction.
Mémoire tampon	Réglez la durée de mémoire tampon pour la lecture de musique sur 2/4/8 secondes.

Météo	Activez/désactivez les prévisions météorologiques pour l'affichage en veille. Choisissez votre unité de température préférée (°F ou °C) puis saisissez votre emplacement. Quand les prévisions météorologiques sont activées, elles s'affichent en alternance avec l'affichage de l'horloge sur l'écran de veille (toutes les 10 s).
Paramètres FM	Vous pouvez choisir Mode ou Threshold (seuil)
Installation de la radio locale	Il y a un raccourci Radio locale sous Radio internet permettant d'accéder facilement à la liste des stations de votre emplacement. Vous pouvez configurer manuellement votre emplacement ou bien laisser le système détecter automatiquement votre emplacement actuel. Le système détecte l'emplacement d'après l'adresse IP du réseau auquel vous êtes connecté. Appuyez sur Station locale pour accéder directement à la liste des stations de radio locales.
Configurer la lecture	Sélectionnez le mode de lecture ou le centre multimédia : Désactivé (ni répétition ni lecture aléatoire), Répéter tout, Répéter une piste ou bien Lecture aléatoire.
Appareil	Le nom de l'appareil par défaut pour DLNA est « AirMusic ». Vous pouvez le renommer pour la configuration DLNA sur un ordinateur ou un appareil mobile. Scannez le code QR pour le téléchargement et installez l'appli de commande « AirMusic ».
Égalisateur	L'égaliseur par défaut est Normal, vous pouvez le régler également sur Flat (bémol), Jazz, Rock, Soundtracks (film), Classical (classique), Pop ou News MY EQ (actualités mon égaliseur). Appuyez sur EQ sur la télécommande pour basculer rapidement entre les différents modes EQ.
Reprendre au redémarrage	Par défaut, le système reprend la lecture de radio internet si vous écoutiez la radio internet ou le centre multimédia avant d'éteindre l'appareil. Si vous désactivez ce réglage, le système restera dans le menu d'accueil au démarrage de l'appareil.
Mise à jour du logiciel	Mise à jour du logiciel S'il existe une mise à jour de la version logicielle sur le serveur, alors le système vous avertira. Avant de démarrer une mise à jour de logiciel, vérifiez que l'appareil est branché dans une prise électrique stable. Si l'alimentation est débranchée pendant une mise à jour du logiciel, cela peut endommager l'appareil de manière irréversible.
Réinitialiser aux valeurs par défaut	Rétablissement des paramètres par défaut. Après que le DIR-150 est réinitialisé, le système passera à la langue sélectionnée.

10. DLNA/UPnP

Vous pouvez renommer le DLNA par défaut à votre guise. Les informations ci-dessous présentent la méthode de configuration de diffusion de contenu multimédia à partir d'un PC ou d'un autre serveur multimédia.

Veuillez consulter le mode d'emploi du serveur média que vous allez utiliser. Vérifiez que les fichiers audio sont dans le bon format, sinon le DIR-150 ne peut pas les lire. (Les formats compatibles sont MP3, FLAC et AAC.)

UPnP

Connectez l'ordinateur au réseau.

Vérifiez que la radio est sous tension et connecté au même réseau.

Ouvrez la plateforme UPnP Windows Media Player (11 ou plus récent). Alternativement, vous pouvez utiliser d'autres plateformes ou serveurs tels que Windows Media Connection.

Permet de partager votre contenu multimédia vers la radio.

Ajoutez les fichiers audio et les dossiers à partager avec la radio vers la librairie multimédia.

Vous pouvez également écouter de la musique en flux continu à partir d'un autre serveur de musique, tel qu'un smartphone (plateforme Android)

Connectez le mobile au réseau

Recherchez et installez des applications de partage de médias à partir de Google Play.

Ajoutez les fichiers audio à partager à partir de votre mobile.

Après avoir configuré le serveur partagé, choisissez la musique et commandez la lecture sur la radio.

DLNA

En plus de la fonction UPnP, la radio prend en charge la fonction DLNA, donc vous pouvez partager les fichiers de musique à partir d'un PC ou mobile Android et utiliser votre PC, mobile Android ou iPhone/iPad pour commander la lecture de musique sur la radio. (Cela n'est pas nécessaire pour commander chaque lecture sur la radio.)

La configuration requise de l'ordinateur pour DLNA est Windows 7 et Windows Media Player 12.

Configuration comme ci-dessous : Partagez d'abord les fichiers multimédia sur votre PC pour la radio.

Control Panel (Panneau de configuration) > Network and Internet (Réseau et Internet) > Network and Sharing Center (Centre réseau et partage) > Change advanced sharing settings (Modifier les paramètres de partage avancés) > Media streaming options (Options de diffusion multimédia en continu)

Ouvrez Windows Media Player pour activer Allow remote control of my Player (Autoriser le contrôle à distance de mon lecteur).

Faites un clic droit sur n'importe quelle musique dans la bibliothèque et choisissez Lire vers la radio.

Il y aura une fenêtre permettant de commander la lecture de musique sur la radio.

Vous pouvez rechercher et installer n'importe quelle application DLNA gratuite ou payante dans Google Play ou Apple Store si vous utilisez un mobile Android, une tablette ou un iPhone/iPad. Il est suggéré d'utiliser Bubble UPnP, Twonky Beam sur un mobile Android, une tablette ou Twonky Beam sur iPhone/iPad. Certaines applications ne prennent pas en charge la lecture de musique en flux continu à partir d'un iPhone/iPod mais l'iPhone/l'iPod peut encore être utilisé pour commander la musique en flux continu à partir d'autres serveurs.

Voici les procédures pour lire de la musique partagée sur l'application :

Sélectionnez la radio comme lecteur. Certaines applications peuvent permettre la lecture de musique sur plusieurs lecteurs en même temps.

Sélectionnez le serveur de musique et choisissez la musique. Certaines applications peuvent créer une liste de lecture si vous choisissez plusieurs musiques.

Veuillez noter : Quand vous utilisez la fonction de flux continu de musique DLNA sur la radio internet, vous pouvez régler uniquement le volume et la veille via l'appareil. Cela se limite au réglage des autres fonctions. Arrêtez DLNA sur votre PC, mobile ou tablette avant de reprendre le contrôle de la radio Internet.

11. AUX (entrée de ligne)

Le mode d'entrée auxiliaire lit de la musique à partir d'une source externe telle qu'un lecteur MP3. Pour lire de la musique avec le mode Entrée Aux :

Baissez bien le volume sur la radio internet et, si possible, sur l'appareil source audio.

Branchez la source audio externe sur la prise d'entrée auxiliaire (Aux In) stéréo de 3,5 mm.

Soit appuyez sur MODE jusqu'à ce que AUX IN (entrée auxiliaire) s'affiche, soit sélectionnez AUX IN dans le menu d'accueil.

Régler le volume de la radio (et si nécessaire de l'appareil source audio) à votre convenance.

12. Fonctionnement FM

Quand votre radio en marche, appuyez sur le bouton Mode pour sélectionner le mode FM ou appuyez sur le bouton ◀ / ▶ pour sélectionner le mode FM dans le menu.

Appuyez sur le bouton ◀ / ▶ pour syntoniser manuellement une fréquence spécifique par paliers de 0,05 MHz.

Cette radio inclut également la fonctionnalité de recherche FM, ce qui permet de syntoniser automatiquement des FM.

Maintenez enfoncé le bouton ▶ pour rechercher automatiquement la prochaine station de radio disponible. Quand une station ayant un bon signal est trouvée, elle se lira automatiquement.

Vous pouvez rechercher des stations dans le sens inverse en maintenant enfoncé le bouton ◀ .

Appuyez sur le bouton rotatif Navigate/OK pour lancer une recherche automatique complète et mémoriser au max. 20 stations.

Mémorisation de stations comme présélections

La radio peut mémoriser 20 stations en tant que présélection en mode FM. Pour mémoriser une station en tant que présélection :

Sintonisez la station voulue, maintenez enfoncé le bouton Fav, puis utilisez le bouton ◀ / ▶ ou tournez le bouton rotatif Navigate/OK pour sélectionner le numéro de présélection voulu, puis appuyez sur le bouton rotatif Vol/Nav/OK pour mémoriser la station.

Lecture de stations mémorisées comme présélections

Pour lire une station présélectionnée :

Sélectionnez la bande FM de la station en appuyant sur le bouton Mode ou appuyez sur le bouton ◀ / ▶ pour sélectionner le mode FM dans le menu.

Appuyez sur le bouton Fav pour charger la station présélectionnée, puis utilisez le bouton ◀ / ▶ ou tournez le bouton rotatif Navigate/OK pour naviguer dans vos présélections et appuyez sur le bouton rotatif Navigate/OK pour valider.

13. Bluetooth

Quand votre radio est en marche, appuyez sur le bouton Mode pour sélectionner le mode Bluetooth ou appuyez sur le bouton ◀ / ▶ pour sélectionner le mode Bluetooth dans le menu.

Activez le Bluetooth de votre appareil et choisissez le nom d'appariement « DIR-150 BT » et cliquez dessus pour l'apparier, puis un son vous indiquera « connected » (connecté) si la connexion Bluetooth est établie.

Vous pouvez appuyer sur ◀ ou ▶ pour aller à la piste précédente ou à la piste suivante.

Vous pouvez appuyer sur le bouton Navigate pour lire la musique ou mettre en pause la lecture de la musique.

Tournez ce bouton dans le sens des aiguilles d'une montre pour augmenter le volume, ou bien dans le sens inverse pour baisser le volume.

Maintenez enfoncé le bouton pour déconnecter l'appariement existant et apparier un nouvel appareil.

14. Caractéristiques techniques

Réseau	802.11b/g/n (WLAN) Chiffrement : WEP, WPA, WPA 2(PSK), WPS
Flux continu	UPnP, DLNA
Types de fichier pris en charge	MP3, FLAC, AAC
Connexions	DC, USB (en charge 5V 0,5A) ; entrée aux. de 3,5mm ; sortie de ligne de 3,5mm
Entrée	100 à 240 VCA – 50 à 60 Hz
Sortie	9V/2A
Puissance de sortie	2 x 8W RMS
Piles de la télécommande	Pile bouton CR2025
Puissance absorbée	Max. 20 W
Puissance consommée (veille)	< 1 W
Consommation en veille en mode réseau	< 2 W
Température de fonctionnement	0 °C à 35 °C
Position de fonctionnement	Horizontal
Adaptateur de puissance : (pour l'Europe uniquement)	
Fabricant : Dongguan Yingna Electronic Technology Co.,Ltd	
Numéro du modèle : YN-24WA090200EU	
Utilisez uniquement l'adaptateur CA d'origine	
Utilisez uniquement l'alimentation électrique indiquée dans le mode d'emploi.	
Dim. de l'unité	310 x 114,9 x 116 mm (lxPxH)
Poids	1645 g

15. Garantie

Lenco propose un service et une garantie conformément à la législation européenne, ce qui signifie qu'en cas de besoin de réparation (aussi bien pendant et après la période de garantie), vous pouvez contacter votre revendeur le plus proche.

Remarque importante : Il n'est pas possible de renvoyer l'appareil pour réparation directement à Lenco. Remarque importante : Si l'unité est ouverte ou modifiée de quelque manière que ce soit par un réparateur non agréé, la garantie serait caduque. Cet appareil ne convient pas à une utilisation professionnelle. En cas d'utilisation professionnelle, les obligations de garantie du fabricant seront annulées.

16. Clause de non-responsabilité

Des mises à jour du logiciel et/ou des composants informatiques sont régulièrement effectuées. Il se peut donc que certaines instructions, caractéristiques et images présentes dans ce document diffèrent légèrement de votre configuration spécifique. Tous les articles décrits dans ce guide sont fournis uniquement à des fins d'illustration et peuvent ne pas s'appliquer à une configuration spécifique. Aucun droit légal ne peut être obtenu depuis les informations contenues dans ce manuel.

17. Mise au rebut de l'appareil usagé



Ce symbole indique que le produit électrique concerné ou la batterie ne doivent pas être jetés parmi les autres déchets ménagers en Europe. Pour garantir un traitement correct du déchet de la batterie ou de l'appareil, veuillez les mettre au rebut conformément aux règlements locaux en vigueur relatifs aux appareils électriques et autres batteries. En agissant de la sorte, vous contribuerez à la préservation des ressources naturelles et à l'amélioration des niveaux de protection environnementale concernant le traitement et la destruction des déchets électriques (directive sur les déchets des équipements électriques et électroniques).

18. Service après-vente

Pour en savoir plus et obtenir de l'assistance, visitez www.lenco.com

Lenco Benelux BV, Thermiekstraat 1a, 6361 HB, Nuth, Pays-Bas.

¡PRECAUCION!

El uso de controles o ajustes distintos, o llevar a cabo procedimientos distintos a aquéllos aquí especificados puede tener como consecuencia una exposición peligrosa a la radiación.

Esta unidad no debe ser ajustada ni reparada por ninguna persona, salvo por el personal de servicio técnico cualificado.

PRECAUCIONES DE USO**TENGA SIEMPRE EN CUENTA LAS SIGUIENTES INSTRUCCIONES:**

1. No use esta tableta cerca del agua.
2. Límpiela solo con un paño ligeramente humedecido.
3. No cubra ni obstruya ninguna de las aberturas de ventilación. Cuando coloque la tableta en una estantería, deje un espacio de como mínimo 5 cm (2") a su alrededor para una adecuada ventilación.
4. Instale según lo especificado en el manual del usuario que se le proporciona.
5. No pise ni pellizque el cable de alimentación. Tenga mucho cuidado, particularmente cerca del enchufe y por donde el cable sale del aparato. No coloque elementos pesados sobre el cable de alimentación, ya que estos podrían dañarlo. Mantenga la tableta fuera del alcance de los niños. Si estos jugaran con el cable de alimentación, podrían resultar seriamente dañados.
6. Desenchufe esta tableta durante las tormentas o cuando no la use durante periodos prolongados.
7. Mantenga la tableta alejada de fuentes de calor como radiadores, estufas, fuegos de cocina, velas encendidas y otros productos generadores de calor.
8. Evite usar el aparato cerca de potentes campos magnéticos.
9. El normal funcionamiento del producto podrá verse alterado por esd. Si así fuera, efectúe una operación de reset y reinicie el aparato siguiendo el manual de instrucciones. Durante la transmisión de archivos, por favor, tenga cuidado y use la tableta en un entorno sin electricidad estática.
10. Advertencia! No introduzca objetos en el producto a través de las aberturas de ventilación u otros orificios. Por el producto pasa un flujo continuo de corriente, por lo que la inserción de un objeto podría causar una descarga eléctrica y/o un cortocircuito de los componentes internos. Por el mismo motivo, no vierta ni derrame agua o líquidos sobre el producto.
11. No use el aparato en lugares húmedos o mojados, como baños, cocinas que despidan vapor o cerca de piscinas.
12. No use esta tableta cuando pudiera formarse condensación.
Esta unidad ha sido fabricada siguiendo todas las regulaciones de seguridad. Los siguientes consejos de seguridad deberían prevenir un uso irresponsable y los peligros que de dichos usos se deriven.
13. A pesar de que esta unidad ha sido cuidadosamente fabricada y revisada rigurosamente antes de abandonar la fábrica, como sucede con todos los aparatos eléctricos, es posible que surjan algunos problemas. Si percibiera humo, un calor excesivo proveniente del aparato o cualquier otro fenómeno anormal, desconecte el enchufe de la toma de corriente inmediatamente.
14. Este aparato debe estar bien ventilado en todo momento
15. Esta unidad deberá funcionar con una toma de corriente que suministre un voltaje como el que indica la etiqueta de especificaciones. Si no estuviera seguro del tipo de voltaje de su hogar, consulte a su distribuidor o a la compañía eléctrica local.
16. La toma de alimentación deberá estar instalada cerca del equipo, siendo además fácilmente accesible.
17. No sobrecargue las tomas de corriente ni cables extensores. La sobrecarga podría provocar un incendio o descarga eléctrica.
18. Los dispositivos de clase 1 deberán conectarse a una toma de corriente con una conexión a tierra de protección.
19. Los aparatos con un adaptador de clase ii no necesitan una conexión de toma de tierra.
20. Mantenga a los roedores alejados del aparato. A estos les encanta mordisquear los cables de alimentación.
21. Desenchufe el aparato tirando del enchufe. No tire del cable. De hacerlo, podría provocar un cortocircuito.
22. No coloque el aparato sobre superficies que puedan ser sometidas a vibraciones o impactos.
23. Para proteger la unidad durante una tormenta, desenchufe el cable de alimentación.
24. Cuando no use la tableta por un periodo prolongado, por motivos de seguridad, desenchufe el cable de alimentación.
25. Para limpiar el aparato, utilice un trapo suave y seco. No use disolventes ni líquidos con base de gasolina. Para manchas rebeldes, podrá usar un paño humedecido con detergente diluido.
26. El distribuidor no se hace responsable de los daños o pérdida de datos causados por un fallo de funcionamiento, uso inadecuado o modificación del aparato o sustitución de las pilas.

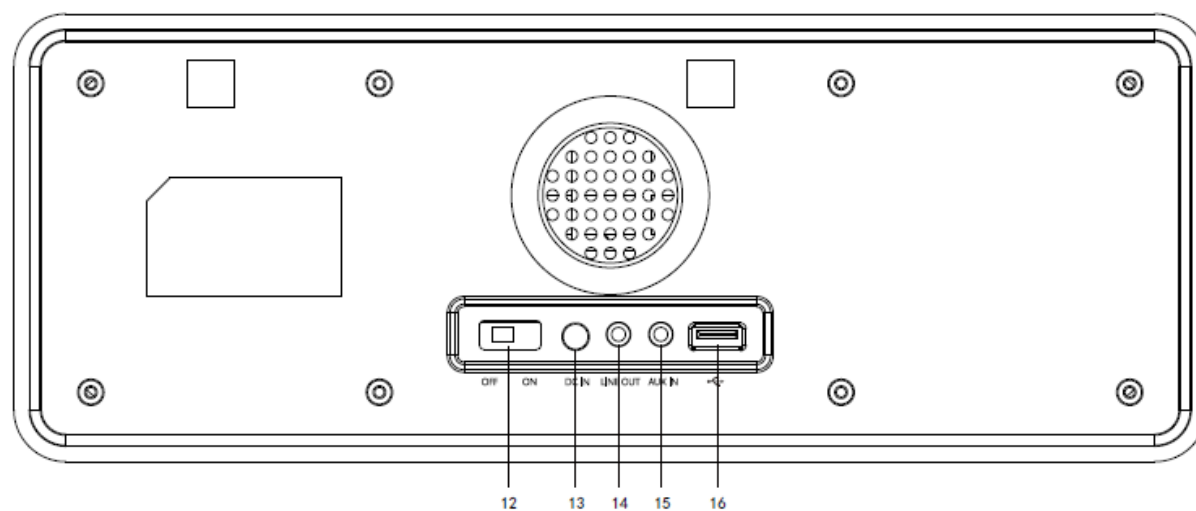
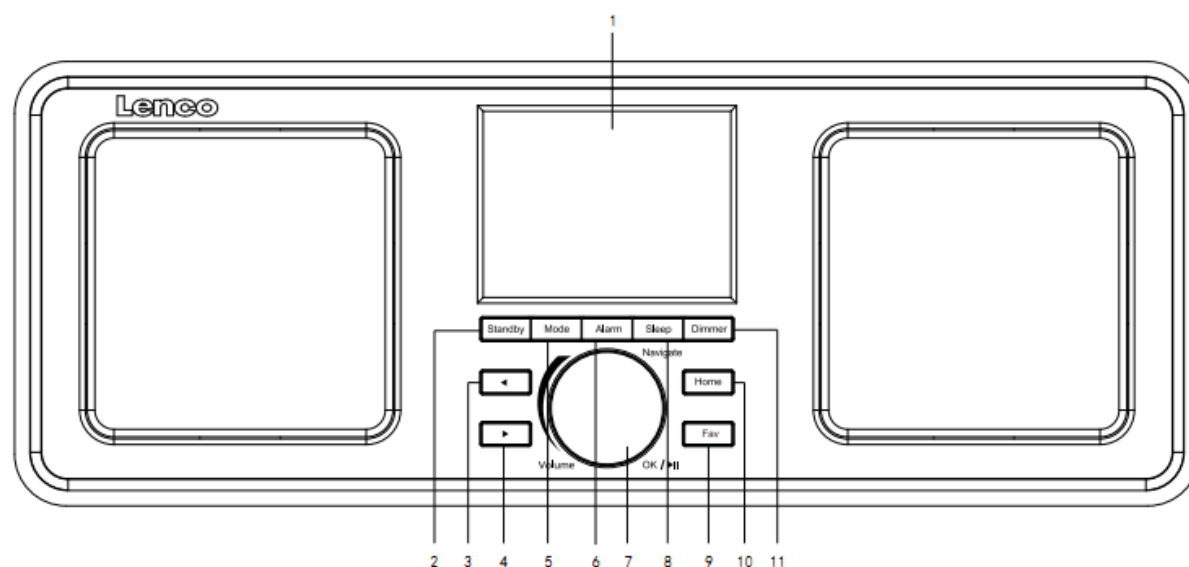
27. No interrumpa la conexión cuando el dispositivo se esté formateando o transfiriendo archivos, de lo contrario, algunos podrían corromperse o perderse.
28. El aparato no debe exponerse a goteos ni a salpicaduras de agua, ni deben colocarse objetos que contengan líquido, como jarrones, sobre el mismo.
29. Para desconectarlo completamente de la alimentación, el enchufe del aparato deberá desconectarse completamente de la toma de corriente. El dispositivo de desconexión es el enchufe del aparato.
30. El enchufe de alimentación del aparato no debe estar obstruido y debe quedar fácilmente accesible durante el uso.
31. La batería no debe exponerse a un calor excesivo, como la luz solar, fuego o similares.
32. Deje una distancia mínima de 10 cm alrededor del aparato para permitir la ventilación necesaria.
33. No debe impedirse la ventilación cubriendo las aperturas con objetos como periódicos, manteles, cortinas, etc.
34. No deben colocarse fuentes de llama, como velas encendidas, sobre el aparato.
35. Debe prestarse atención a los aspectos medioambientales sobre la eliminación de baterías.
36. Utilice este aparato únicamente en climas moderados, y evitan entornos extremadamente fríos o cálidos
37. La etiqueta de clasificación se encuentra en el panel inferior del aparato.
38. Para proteger a niños o personas débiles del peligro de aparatos eléctricos, tenga en cuenta que este aparato sólo se puede utilizar bajo vigilancia. Este aparato no es ningún juguete. No deje jugar a niños pequeños con ello.
39. Este producto está destinado únicamente al uso doméstico y no al uso comercial ni al industrial.
40. Asegúrese de que la unidad esté fijada en una posición estable. Los daños provocados por utilizar este producto en una posición inestable o por no seguir cualquier otra advertencia o precaución incluida en este manual de usuario no estarán cubiertos por la garantía.
41. No retire nunca la carcasa de este aparato.
42. No coloque nunca este aparato sobre otros equipos eléctricos.
43. No utilice ni guarde el producto en lugares expuestos a la luz solar directa, a altas temperaturas, a la vibración ni en ambientes excesivamente polvorientos.
44. No limpie el producto con agua ni con otros líquidos.
45. No obstruya ni cubra las ranuras u orificios presentes en el producto.
46. No introduzca objetos extraños en las ranuras u orificios presentes en el producto.
47. Mantenga las bolsas de plástico fuera del alcance de los niños.
48. Compruebe que el voltaje en la placa de características del aparato se corresponde con el suministro eléctrico de su hogar (la placa de características se encuentra en la parte posterior de la unidad).
49. Proteja el cable de alimentación para evitar que lo pisen o aplasten, especialmente en los enchufes, tomas de corriente y el lugar en que sale del aparato.
50. Use únicamente los dispositivos/accesorios especificados por el fabricante.
51. Remita todas las reparaciones al personal cualificado. Es necesario mantenimiento cuando el aparato ha sido dañado de alguna manera, como cuando el cable de alimentación o el enchufe están deteriorados, se ha derramado líquido o han caído objetos sobre el aparato, el aparato ha sido expuesto a la lluvia o humedad, si no funciona normalmente, o se ha caído.
52. No utilice un cable de alimentación o enchufe deteriorado o una toma suelta. Si lo hace, podría provocar un incendio o una descarga eléctrica.
53. La unidad de memoria usb deberá ser conectada directamente a la unidad. No use un cable de extensión usb, ya que podría causar interferencias que darían como resultado fallos de datos.

Advertencia: una exposición prolongada a sonidos fuertes de reproductores de música personales podría acarrear la pérdida temporal o permanente de oído.

INSTALACIÓN

- Desembale todas las piezas y quite el material protector.
- No conecte la unidad a la red eléctrica antes de revisar el voltaje de la toma y de realizar todas las demás conexiones.
- No cubra ninguna abertura de ventilación y asegúrese de que haya un espacio de varios centímetros alrededor de la unidad para la ventilación.

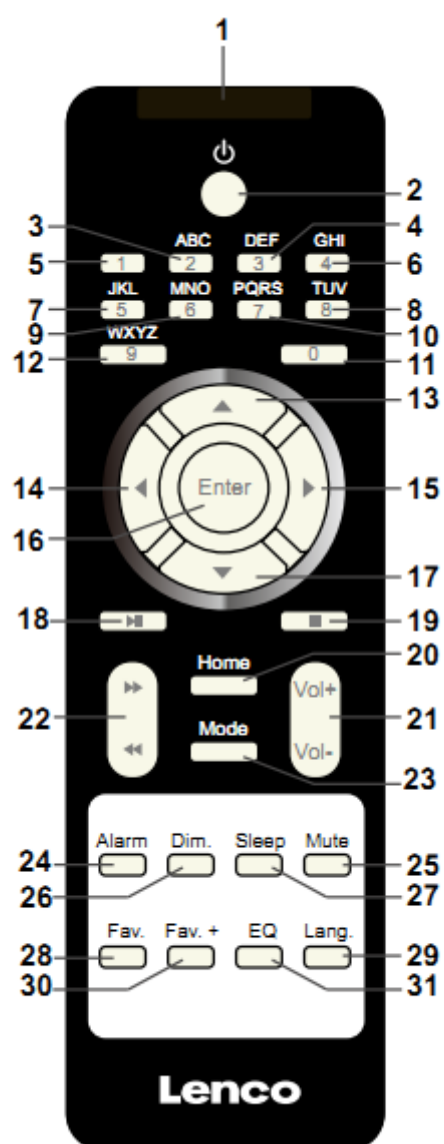
2. Descripción general del producto



1. Pantalla
2. En espera
3. Izq.
4. Dere.
5. Modo
6. Alarma
7. Volumen/Navegación/Ok/Reproducción/Pausa: Girar=Volumen/Pulsar Desplazamiento =Seleccionar
8. Apagado automático
9. Favoritos

10. Inicio
11. Atenuador
12. Encender/Apagar
13. Entrada de alimentación
14. Salida de línea (3,5 mm)
15. Entrada auxiliar (3,5 mm)
16. Puerto USB

Mando a distancia



1. Transmisor remoto
2. Botón de modo de espera
- 3-12. Entrada de letras y números

13. Botón de cursor hacia arriba
14. Botón de cursor hacia la izquierda
15. Botón de cursor hacia la derecha
16. Botón Entrar
17. Botón de cursor hacia abajo
18. Botón Reproducir/Pausar
19. Botón Detener
20. Botón de inicio
21. Vol+/-
22. Retroceder/Avanzar una pista
23. Botón de selección de modo
24. Botón de ajuste de alarma
25. Botón Silencio
26. Botón regulador de brillo
27. Botón de apagado automático
28. Botón Favoritos
29. Botón de selección de idioma
30. Botón Fav. +
31. Tono de ecualizador

3. PRIMER USO

Antes de utilizarlo, asegúrese de que la TENSIÓN indicada en la alimentación eléctrica sea siempre la misma que la tensión de su red.

Utilice el adaptador de corriente incluido para conectar el dispositivo a la toma de corriente del hogar.

Encienda el dispositivo usando el interruptor de la parte trasera.

La primera vez que haga funcionar el dispositivo, el sistema le pedirá que configure las opciones Language (Idioma) y Network Configurations (Configuraciones de red). Puede configurar inmediatamente la conexión de red o hacerlo más tarde. Utilice Navigate para seleccionar la opción deseada. Pulse Navigate/OK para confirmar.

Pulse el botón Standby cuando la unidad esté encendida para pasar al modo de espera. Púselo otra vez para volver a activar el dispositivo.

4. Configuración de red

1. Configuración de red normal

Seleccione "Yes" (Sí) para realizar la configuración normal de red inalámbrica: A continuación, seleccione el PA necesario girando "Navigate" y confirme pulsando "Navigate/OK".

Gire el botón "Navigate/OK" para seleccionar los caracteres correctos e introducir el código WEP o WPA para conectarse a la red Wi-Fi.

Pulse el botón ► para seleccionar el carácter siguiente.

De esta forma, si pulsa el botón ◀ puede desplazarse a la izquierda y borrar al mismo tiempo los caracteres que haya a la izquierda:

Cuando la contraseña esté completa, pulse el botón "Navigate/OK" para confirmar.

Nota: En esta radio se pueden introducir los siguientes caracteres:

Números (del 0-9)

Letras (de A a Z y de a a z)

Otros caracteres (DEL, @, espacio, !, ", #, \$, %, &, *, ', + y (,))

2. Configuración de red PBC WPS

Seleccione "Yes WPS" (Sí WPS) cuando desee configurar la función de red inalámbrica (PBC WPS): Si está utilizando un router con botón WPS, puede establecer la conexión fácilmente con la función WPS. Para acceder, pulse el botón WPS de su router antes de que transcurran 120 segundos.

La conexión entre el router y la radio se configurará automáticamente.

Seleccione "No" si no desea configurar la red en este momento.

3. Sin configuración de red

Seleccione "No" si no desea configurar la conexión de red en este momento.

Pulse "Standby" para entrar en modo en espera. Cuando se muestre la fecha y hora real la configuración de la red está bien hecha. La fecha y hora y las alarmas activadas seguirán apareciendo en la pantalla en el modo de espera.

5. RADIO POR INTERNET

Pulse “Standby” y gire la rueda Navigate para desplazarse por el menú principal. Pulse OK (para acceder a los submenús o confirmar los ajustes).

Pulse ◀ para volver al menú anterior.

Una vez se haya conectado correctamente a una emisora, aparecerá la información de la misma: Es posible cambiar el contenido de la información con el botón ◀ o ▶ .

Mis favoritos

Lista con sus presintonías favoritas. Soporta 250 entradas favoritas, incluyendo emisoras y carpetas. Durante la pantalla de reproducción de emisora, mantenga pulsado Fav en el dispositivo o “Fav.+” en el mando a distancia para guardar la emisora como favorito. Puede sustituir la anterior emisora guardada por una nueva.

Si la emisora seleccionada ya está guardada, no podrá volverla a guardar. Las emisoras guardadas aparecen en este menú. También puede pulsar Fav para acceder a la lista de emisoras guardadas. Puede introducir el botón de número del mando a distancia para recuperar la emisora guardada.

En la lista de emisoras presintonizadas, vaya a la emisora y pulse OK en la unidad o Enter en el mando a distancia para escucharla.

Acceda al submenú con el botón ▶ , suba/baje por la lista, utilice Rename (Renombrar), Play (Reproducir) o Use as Alarm Sound (Utilizar como sonido de alarma, si elige utilizar Internet como sonido de alarma en la configuración de la alarma).

Emisora de radio/música

Las emisoras se categorizan como Global Top 20, Género y País / Ubicación (África, Asia, Europa, Oriente Medio, Norteamérica, Oceanía/Pacífico, y Sudamérica). Entre para ver las subcategorías y escoja la emisora que desee escuchar.

En cada emisora, pulse OK en la unidad o Enter en el mando a distancia para reproducirla directamente.

Pulse ▶ para entrar en su submenú. Cuando elija Búsqueda automática, cada una de las emisoras de la subcategoría se reproducirán durante 30 segundos, hasta que se reproduzca la última emisora de la lista. Pulse el botón “select” en la unidad o “enter” en el mando a distancia para detener la audición de búsqueda automática y escuchar la emisora actual.

Puede pulsar el botón ▶ para ver en la pantalla la información de la emisora.

Radio local:

Las emisoras están clasificadas según el país/ubicación en el que se opera la unidad.

Historial:

Lista de las diez emisoras escuchadas recientemente.

Servicio:

Busque la emisora de radio. Introduzca una palabra clave para buscar la emisora de radio en la lista.

Añada una nueva radio añadiendo la dirección IP. Las emisoras añadidas se almacenarán en My Favorite (Mis favoritos).

Tenga en cuenta que el número máximo de caracteres para el nombre de la emisora es de 250.

6. Centro multimedia

Seleccione el modo USB/UPnP o el modo de lista de reproducción con Navigate/OK o con el botón Mode.

UPnP

Si ha compartido el contenido multimedia, deberá ver dicho contenido compartido desde UPnP.

Si tiene más de un ordenador compartiendo contenidos, aparecerán todos en una lista.

Seleccione los contenidos multimedia compartidos que desee reproducir.

Use Play/Pause (18), Next/Prev (22) y Stop (19). Pulse el botón de flecha derecha (15) para ver la información de la pista en reproducción.

Nota: La radio sólo puede leer las pistas cuyo nombre de archivo tenga menos de 40 caracteres. Los caracteres deben estar en un idioma europeo. Si encuentra problemas para leer pistas en el modo UPnP, puede probar a cambiarles el nombre. No obstante, si la pista sigue sin poder reproducirse, puede intentar convertir el archivo a otro formato.

USB:

Desde este punto en adelante, los menús se generan desde las carpetas del dispositivo USB. Es compatible con los formatos WMA/MP3/AAC/AAC+/FLAC/WAV. FLAC es compatible con la tasa de muestreo 16Bit/8K~48K, 64Kbps.

Las carpetas marrones con la rueda NAV o las flechas de dirección (13/14/15/17) del mando a distancia.

La pantalla muestra los nombres de carpeta y de archivo (no necesariamente los nombres de las pistas).

Cuando haya encontrado la pista que desea reproducir, pulse la rueda Navigate del dispositivo o Enter en el mando a distancia.

Nota: El puerto USB no es compatible con la transferencia de datos con un ordenador.

Mi lista de reproducción:

Puede crear una lista de reproducción con su música favorita desde UPnP. Cuando reproduzca la música, mantenga pulsado OK en la unidad o Enter en el mando a distancia para guardarla en My Playlist (Mi lista de reproducción).

Borrar mi lista de reproducción

Seleccione esta opción para borrar la lista de reproducción. Confirme las preguntas.

7. My MediaU

Aquí se muestran y se reproducen sus propias emisoras mediaU en el servidor mediaU. Fije primero su cuenta. Para activar su propia lista de emisoras, siga los pasos que aparecen debajo:

Acceda a <http://www.mediayou.net/>. Hágase miembro de My mediaU. Inicie sesión en la página web;

Introduzca la dirección MAC inalámbrica de radio en la página web mediaU. Puede obtener esta información en Center>System information>Wireless Info (Centro>Información del sistema>Información inalámbrica).

Cuando esté configurado correctamente, podrá guardar y ver sus listas de reproducción propias de emisoras mediaU. No es necesario un nombre de usuario ni contraseña para acceder a la radio.

Si hay diferentes cuentas almacenadas en la radio, podrá elegir la que usa actualmente en el menú Configuration (Configuración). En la página web podrá guardar emisoras en Favorite Station (Emisora favorita), configurar Favorite Location/Genre (Ubicación/Género favorito) y My Local City (Mi ciudad local), o añadir manualmente las emisoras. Es posible ver las emisoras desde el modo My Media (Mis medios) en la radio.

8. Centro de información

Tiempo

Hay información y predicciones meteorológicas para 2000 ciudades.

Elija la opción "Set location" y elija su ubicación; pulse "enter" y elija "country". Ahora puede seleccionar una ciudad.

El dispositivo puede mostrar la información meteorológica en modo en espera. Para hacerlo, vaya a la opción weather en el menú de configuración y seleccione “Show on Standby”

Información financiera

Ver el índice bursátil.

Información del sistema

Ver información sobre la unidad y la conexión de red. La información incluye la dirección MAC que debe introducir cuando se registre en My mediaU.

9. CONFIGURACIÓN

Mostrar hora	Analógica/Digital
Mis mediosU	Cuando está activado, My mediaU existirá en el menú principal. Si existen varias cuentas mediaU en la Radio, seleccione la cuenta de inicio de sesión por defecto aquí.
Red	<p>Configuración de red inalámbrica: Activar/desactivar la red WiFi. Cuando active la red WiFi, el sistema seleccionará automáticamente la AP requerida. Introduzca el código WEP o WPA para conectarse a la red Wi-Fi.</p> <p>Red inalámbrica, WPS PBC: Si está utilizando un router con botón WPS/QSS, puede establecer la conexión fácilmente con la función WPS. Para acceder, pulse el botón WPS de su router antes de que transcurran 120 segundos. La conexión entre el router y el enlace de música se configurará automáticamente.</p> <p>Configuración manual: Puede escoger DHCP (cuya dirección IP se asigna automáticamente) o introducir la dirección IP de forma manual para la conexión de red. Cuando seleccione la configuración manual para una conexión cableada, deberá introducir lo siguiente: SSID (nombre de punto de acceso), dirección IP, máscara subred, pasarela por defecto, servidor DNS preferido y servidor DNS alternativo.</p> <p>Comprobar la red al encenderse: Activar/desactivar la red WiFi. Cuando active la red WiFi, el sistema buscará automáticamente el PA disponible. Seleccione el PA necesario.</p>
Fecha y hora	<p>Ajustar la fecha y la hora</p> <p>Establezca el formato de visualización de la hora como 12 Hour (12 horas) o 24 Hour (24 horas)</p> <p>Ajuste el formato de fecha (AAAA/MM/DD-DD/MM/AAAA-MM/DD/AAAA)</p> <p>Daylight SavingTime (DST, horario de verano)</p> <ul style="list-style-type: none">o ON (Activado) <p>Consejos: Si está en “ON” (Activado), se sumará una hora.</p> <ul style="list-style-type: none">o OFF (Desactivado) <p>Consejos: Si está en “OFF” (Desactivado), la hora se mantendrá igual. Si la unidad ya tenía el horario de verano establecido y selecciona “OFF” (Desactivar), no se restará una hora, es decir, se mantendrá la misma hora.</p>

Alarma	<p>Se pueden establecer 3 alarmas independientes. 2 alarmas diferentes (Alarm 1, Alarm 2 (Alarma 1, Alarma 2)) y una NAP alarm (Alarma NAP) que es una alarma de cuenta atrás que se puede utilizar cuando se hecha una cabezadita. Pulse el botón de Alarma en el mando a distancia para ir directamente al menú de configuración de alarma y siga los pasos que se indican a continuación.</p> <p>Ajustar la alarma</p> <ul style="list-style-type: none"> - Pulse el botón "Alarm" en la unidad o el mando a distancia. - Seleccione Alarm 1 (Alarma 1) - Seleccione Turn On (Encender) - Pulse el botón "ok" en el mando a distancia o pulse la rueda de navegación en la unidad. - Pulse "ok" en la opción "Repeat (Repetir):" y seleccione cómo debería funcionar la alarma. <p>(Todos los días, una vez o seleccione los días necesarios)</p> <ul style="list-style-type: none"> - Pulse la tecla de flecha izquierda en el mando a distancia o la unidad para volver al menú de alarma anterior y a continuación seleccione "Time (Hora):" y pulse en "ok" - Ahora puede usar los botones arriba-abajo para cambiar las Horas resaltadas, a continuación pulse el botón de flecha hacia la derecha una vez para cambiar a los Minutos y use los botones arriba/abajo para cambiar los minutos. Pulse el botón "ok" para confirmar. - Seleccione el "Sound (Sonido):" y pulse el botón "ok". Ahora puede elegir entre la Beep (Pitido), Melody (Melodía), Internet Radio (Radio por Internet) y USB (cuando se introduce) <p>Cuando se selecciona la radio por Internet como sonido de despertador, puede usar una de sus emisoras de radio favoritas (que deben almacenarse como favoritas en el DIR-150).</p> <p>Nota: Cuando no exista conexión a Internet disponible transcurrido 1 minuto una vez que se active la alarma, el DIR-150 cambiará automáticamente a Melody.</p> <p>Al seleccionar USB como sonido de despertador, puede seleccionar uno de los archivos de música almacenados en el dispositivo de memoria USB que se ha introducido.</p> <p>Repita los pasos anteriores para establecer la alarma 2</p> <p>Configuración de la alarma NAP</p> <ul style="list-style-type: none"> - Pulse el botón "Alarm" en la unidad o el mando a distancia. - Seleccione NAP alarm (Alarma NAP) - Use los botones arriba/abajo para seleccionar los minutos deseados. - Puede seleccionar 5/10/20/30/60/90 o 120 minutos y a continuación pulse el botón "ok" para seleccionar - Pulse el botón de flecha izquierda para volver a la pantalla principal. - Cuando se activa la alarma NAP, aparece un icono de reloj en la esquina inferior derecha con el tiempo que queda.
Temporizador	Temporizador con cuenta atrás (máx. 100 min)
Idioma	Inglés/Alemán/Español/Francés/Portugués/Holandés/Italiano/Ruso/Sueco/Noruego/Danés/Magiar/Checo/Eslovaco/Polaco/Turco/Suomi
Atenuador	Ahorro de energía / Encendido
Pantalla	Color/monocromático
Gestión de energía	Aquí se configura la activación automática del modo de espera mientras está en el menú y/o sin señal Wi-Fi. Seleccione el temporizador para la gestión de energía (5/15/30 minutos) para determinar el tiempo tras el cual la radio pasará

Temporizador de apagado automático	al modo de espera cuando no la esté controlando. Seleccione "Turn off" (Desactivar) para ignorar la función de gestión de energía. Desactive o ajuste el temporizador de reposo en 15/30/60/90/120/150/180 minutos. Una vez ajustado el tiempo, aparecerá un icono de cama con los minutos restantes en la esquina superior derecha y el dispositivo pasará entonces a modo de espera. Pulse Sleep (Reposo) en el mando a distancia para acceder directamente a esta función.
Memoria intermedia	Configura el tiempo de memoria intermedia (búfer) de la música en reproducción, 2/4/8 segundos.
Tiempo	Activa/desactiva la previsión meteorológica de la pantalla en espera. Elija la unidad de temperatura que prefiera (°F o °C) y posteriormente, proceda introduciendo su ubicación. Una vez activada, se mostrará el pronóstico meteorológico en alternancia con el reloj en la pantalla de espera (cada 10 s).
Configuración FM	Puede elegir Modo o Umbral
Configuración de radio local	Hay un atajo, Local Radio (radio local), en la radio por internet para que pueda acceder fácilmente a la lista de emisoras de su ubicación. Puede configurar manualmente su ubicación o dejar que el sistema la detecte automáticamente. El sistema detecta la ubicación en función de la dirección IP de la red a la que esté conectado. Pulse Local Station (Emisora local) para acceder directamente a esta lista de radios locales.
Configuración de reproducción	Seleccione el modo de reproducción del centro multimedia entre Off (Desactivado - no repetir ni reproducción aleatoria), Repeat all (Repetir todo), Repeat one (Repetir uno), o Shuffle (Aleatorio).
Dispositivo	El nombre del dispositivo predeterminado de DLNA es "AirMusic". Puede cambiar el nombre para la configuración de DLNA en el PC o el móvil. Código QR para descargar e instalar la aplicación de control "AirMusic".
Ecuilizador	El ecualizador por defecto es Normal; puede cambiarlo a Plano, Jazz, Rock, Bandas sonoras, Clásica, Pop, o Noticias MY EQ. Pulse EQ (Ecuilizador) en el mando a distancia para alternar entre los diferentes modos de ecualización.
Reanudar al encenderse	El sistema reanudará por defecto la reproducción de radio por Internet si antes de apagar la unidad estaba escuchando la radio por Internet o el centro multimedia. Si desactiva este ajuste, el sistema permanecerá en el menú principal al encender la unidad.
Actualizar software	Actualización del Software. Si hay una actualización de la versión de software en el servidor, el sistema le notificará. Antes de iniciar la actualización del software, asegúrese de que la unidad esté conectada a una fuente de alimentación eléctrica estable. Si se desconecta la alimentación durante la actualización del software, podría dañar permanentemente la unidad.
Restablecer valores predeterminados	Restaura los ajustes predeterminados. Después de restablecer la DIR-150, el sistema aparecerá en el idioma seleccionado.

10. DLNA/UPnP

Puede cambiar el nombre predeterminado del DLNA por el que desee. La información siguiente es la introducción a cómo configurar la transmisión multimedia desde el PC u otro servidor multimedia.

Por favor, compruebe el manual de instrucciones del servidor multimedia que vaya a usar.
Asegúrese de que los archivos de música están en el formato correcto; en caso contrario, el DIR-150 no puede reproducirlos. (Los formatos compatibles son MP3, FLAC o AAC.)

UPnP

Conecte el PC a la red.

Asegúrese de que la radio esté encendida y conectada a la misma red.

Abra la plataforma UPnP Windows Media Player (11 o posterior). De modo alternativo, pueden utilizarse otras plataformas o servidores, como Windows Media Connection.

Permita que se compartan todos sus archivos multimedia con la radio.

Añada los archivos de audio y las carpetas que desee compartir con la radio en la biblioteca multimedia.

También puede disfrutar de la música transmitida desde otro servidor de música, como un smartphone (plataforma Android)

Conecte el móvil a la red

Busque en la Google Play aplicaciones para compartir contenidos multimedia e instálelas.

Agregue los archivos que desee compartir desde su móvil.

Después de configurar el servidor compartido, elija la música y controle la reproducción desde la radio.

DLNA

Además de UPnP, la radio es compatible con la función DLNA. Comparta los archivos de música desde el PC o móvil Android y utilice el PC, el móvil Android o el iPhone/iPad para controlar la reproducción de música desde la radio. (si no es necesario controlar cada reproducción desde la radio).

Los requisitos de sistema del PC para DLNA son Windows 7 y Windows Media Player 12. Configúrelo como indicamos a continuación: Primero, comparta los archivos multimedia de su PC con la radio.

Control Panel (Panel de control) > Network and Internet (Red e Internet) > Network and Sharing Center (Red y Centro de archivos compartidos) > Change advanced sharing settings (Cambiar configuración avanzada de archivos compartidos) > Media streaming options (Opciones de reproducción multimedia)

Abra Windows Media Player para habilitar Allow remote control of my Player (Permitir el control remoto de mi reproductor).

Haga clic derecho en un archivo de música de la biblioteca y seleccione Play to Radio (Reproducir en radio).

Aparecerá una ventana en la radio para controlar la reproducción de música.

Si utiliza un móvil o tableta Android o un iPhone/iPad, puede buscar e instalar cualquier aplicación DLNA gratuita o de pago en Google Play o la App Store. Se recomienda usar la burbuja UPnP, o Twonky Beam en móviles o tabletas Android, o en iPhone/iPad. Algunas aplicaciones no soportan la transmisión de música desde el iPhone/iPad aunque sí podrá controlar con el iPhone/iPad la música transmitida desde otros servidores.

El procedimiento para reproducir música compartida en la aplicación es el siguiente:

Seleccione Radio como reproductor. Algunas aplicaciones permiten reproducir la música en varios reproductores al mismo tiempo.

Seleccione el servidor de música y escoja la música. Algunas aplicaciones pueden crear una lista de reproducción si escoge varias canciones.

Tenga en cuenta: Al usar la función de transmisión de música DLNA en Internet Radio (Radio por Internet), solo podrá controlar el volumen y el modo de espera a través de la unidad. El control de las demás funciones está restringido. Detenga el DLNA en el PC, móvil o tablet antes de reanudar el control propio de la radio por Internet.

11. AUX (entrada de línea auxiliar)

El modo de entrada auxiliar reproduce sonido desde una fuente externa, como un reproductor MP3. Para reproducir audio en el modo de entrada auxiliar:

Baje el volumen de la radio y del dispositivo de fuente del audio, si es posible ajustarlo.

Conecte la fuente de audio externa al conector estéreo de entrada Aux de 3,5 mm.

Pulse MODE hasta que la pantalla indique AUX IN (entrada auxiliar) o seleccione AUX en el menú principal.

Ajuste el volumen de la radio (y, si fuera necesario, del dispositivo de fuente del audio), según sea necesario.

12. Funcionamiento de FM

Con la radio encendida, pulse el botón Mode para seleccionar el modo FM o pulse el botón ◀ / ▶ para seleccionar el modo FM en el menú.

Pulse el botón ◀ / ▶ para sintonizar manualmente frecuencias específicas en 0.05MHz por paso.

La radio asimismo incluye la propiedad de búsqueda de FM, lo que le permite sintonizar automáticamente las emisoras FM.

Mantenga pulsado el botón ▶ para buscar automáticamente la siguiente emisora de radio disponible. Cuando se encuentre una emisora con una buena señal, se reproducirá automáticamente.

Puede buscar emisoras en dirección contraria manteniendo pulsado el botón ◀ .

Pulse el dial rotatorio Navigate/OK; puede realizar automáticamente una búsqueda completa y guardar 20 emisoras (máximo).

Guardar emisoras como presintonizaciones

La radio puede guardar 20 emisoras como presintonías en modo FM. Para guardar una presintonización:

Sintonice la emisora que desee; mantenga pulsado el botón Fav; posteriormente usando el botón ◀ / ▶ o girando el dial rotatorio Navigate/OK puede seleccionar el número de presintonía que desee; posteriormente, pulse el dial rotatorio Vol/Nav/Ok para guardar la emisora.

Reproducir emisoras guardadas como presintonías

Para reproducir una emisora presintonizada:

Seleccione la banda FM de la emisora pulsando el botón Mode o pulse el botón ◀ / ▶ para seleccionar el modo FM en el menú.

Pulse el botón Fav para recordar la emisora presintonizada; posteriormente, usando el botón ◀ / ▶ o girando el dial rotatorio Navigate/OK navegue por las presintonías y pulse el dial rotatorio Navigate/OK para confirmarlo.

13. Bluetooth

Con la radio encendida, pulse el botón Mode para seleccionar el modo Bluetooth o pulse el botón ◀ / ▶ para seleccionar el modo Bluetooth en el menú.

Encienda el Bluetooth de su dispositivo y elija el nombre del emparejamiento "DIR-150 BT" y haga clic para emparejarlo; hará un sonido de aviso "conectado" si la conexión Bluetooth ha tenido éxito.

Puede pulsar ◀ o ▶ para ir a la pista anterior o a la pista siguiente.

Puede pulsar el dial de navegación para reproducir o hacer una pausa en la reproducción de música.

Puede ajustar el dial en sentido horario para aumentar el volumen y antihorario para disminuir el volumen.

Puede mantener pulsado el dial de navegación para desconectar el emparejamiento existente y emparejarlo con un Nuevo dispositivo.

14. Especificaciones Técnicas

Network (Red)	802.11b/g/n (WLAN) Cifrado: WEP, WPA, WPA 2(PSK), WPS
Transmisión	UPnP, DLNA
Tipo de archivos compatibles	MP3, FLAC, AAC
Conexiones	CC, USB (carga 5 V, 0,5 A), entrada auxiliar de 3,5 mm, salida de línea de 3,5 mm
Entrada	100-240VAC – 50/60Hz
Salida	9V/2A
Potencia de salida	2 x 8W RMS
Pilas del mando a distancia	Pila tipo botón CR2025
Consumo de energía	Máx 20W
Consumo de energía (en espera)	<1 W
Consumo de energía en espera de la red	<2 W
Temperatura de funcionamiento	0°C-35°C
Posición de funcionamiento	Horizontal

Adaptador de corriente: (Sólo para la UE)

Fabricante: Dongguan Yingna Electronic Technology Co., Ltd

Número de modelo: YN-24WA090200EU

Utilice únicamente el adaptador de CA original

Utilice únicamente la fuente de alimentación indicada en las instrucciones de uso.

Dim. unidad 310 x 114,9 x 116 mm (LxPxX)

Peso

1645g

15. Garantía

Lenco ofrece servicio y garantía en cumplimiento con las leyes de la Unión Europea, lo cual implica que, en caso de que su producto precise ser reparado (tanto durante como después del periodo de garantía), deberá contactar directamente con su distribuidor.

Nota importante: No es posible enviar sus reparaciones directamente a Lenco. Nota importante: Si la unidad es abierta por un centro de servicio no oficial, la garantía quedará anulada. Este aparato no es adecuado para el uso profesional. En caso de darle un uso profesional, todas las obligaciones de garantía del fabricante quedarán anuladas.

16. Exención de responsabilidad

Regularmente se llevan a cabo actualizaciones en el Firmware y en los componentes del hardware. Por esta razón, algunas de las instrucciones, especificaciones e imágenes incluidas en este documento pueden diferir ligeramente respecto a su situación particular. Todos los elementos descritos en esta guía tienen un objetivo de mera ilustración, y pueden no ser de aplicación en su situación particular. No se puede obtener ningún derecho ni derecho legal a partir de la descripción hecha en este manual.

17. Eliminación del antiguo dispositivo



Este símbolo indica que no deberá deshacerse del producto eléctrico o batería en cuestión junto con los residuos domésticos, en el ámbito de la UE. Para garantizar un tratamiento residual correcto del producto y su batería, por favor, elimínelos cumpliendo con las leyes locales aplicables sobre requisitos para el desecho de equipos eléctricos y baterías. De hacerlo, ayudará a conservar recursos naturales y mejorar los estándares de protección medioambiental en el tratamiento y eliminación de residuos eléctricos (Directiva sobre la Eliminación de Equipos Eléctricos y Electrónicos).

18. Servicio

Para obtener más información y soporte del departamento técnico, por favor, visite la página web www.lenco.com

Lenco Benelux BV, Thermiekstraat1a, 6361 HB, Nuth, Holanda.